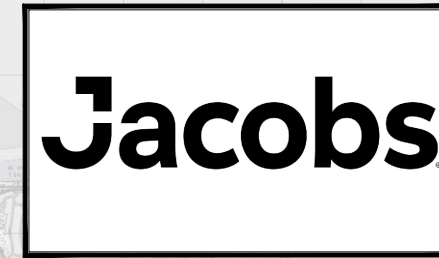


Frank Flood Bridge
General Arrangement





BUSCONNECTS DUBLIN CORE BUS CORRIDORS INFRASTRUCTURE WORKS

SWORDS TO CITY CENTRE SCHEME

DRAWING SERIES NUMBER(S)	DRAWING SERIES DESCRIPTION
BCIDB-JAC-STR_IX-0002_BR_00-DR-CB-0001	SWORDS TO CITY CENTRE. FRANK FLOOD BRIDGE COVER SHEET
BCIDB-JAC-STR_ZZ-0002_BR_00-DR-SS-0001	SWORDS TO CITY CENTRE. FRANK FLOOD BRIDGE SITE LOCATION PLAN
BCIDB-JAC-STR_GA-0002_BR_00-DR-CB-0101	SWORDS TO CITY CENTRE. FRANK FLOOD BRIDGE GENERAL ARRANGEMENT SHEET 1
BCIDB-JAC-STR_GA-0002_BR_00-DR-CB-0102	SWORDS TO CITY CENTRE. FRANK FLOOD BRIDGE GENERAL ARRANGEMENT SHEET 2
BCIDB-JAC-STR_GA-0002_BR_00-DR-CB-0103	SWORDS TO CITY CENTRE. FRANK FLOOD BRIDGE GENERAL ARRANGEMENT SHEET 3
BCIDB-JAC-STR_GA-0002_BR_00-DR-CB-0104	SWORDS TO CITY CENTRE. FRANK FLOOD BRIDGE MISCELLANEOUS DETAILS
BCIDB-JAC-STR_GA-0002_BR_00-DR-CB-0701	SWORDS TO CITY CENTRE. FRANK FLOOD BRIDGE SEQUENCING PLAN SHEET 1
BCIDB-JAC-STR_GA-0002_BR_00-DR-CB-0702	SWORDS TO CITY CENTRE. FRANK FLOOD BRIDGE SEQUENCING PLAN SHEET 2

C:\loworking\jacobs_uk_highways_ssa4\glennor001452018\BCIDB-JAC-STR_IX-0002_BR_00-DR-CB-0001.dwg

Disclaimer:
 a. National Transport Authority (NTA) 2022. This drawing is confidential and the copyright in it is owned by NTA. This drawing must not be either loaned, copied or otherwise reproduced in whole or in part or used for any purpose without the prior permission of NTA.
 b. This drawing is to be used for the design element identified in the title block. Other information shown is to be considered indicative only. The drawing is to be read in conjunction with all other relevant design drawings.
 c. D.S. data used for plans are printed under © Ordnance Survey Ireland Government of Ireland. All rights reserved. Licence Number 2022/OS_NMA_180 National Transport Authority. All elevations are in metres and relate to OS's Good Model (OSGM15) Mean Head. All Co-ordinates are in Irish Transverse Mercator Grid (ITM) as defined by OSI active local GPS station.
 d. Information concerning the position of apparatus shown on this drawing is based on drawings supplied by the utility owners and/or the utility works contractor, whilst every care has been taken in the preparation of this drawing, positions should be taken as appropriate and are intended for general guidance only and no representation is made by the NTA as to the accuracy, completeness, sufficiency or otherwise of this drawing and the position of the apparatus. The information contained herein does not purport to be comprehensive or final as the apparatus is subject to being altered and/or superseded. Recipients should not rely on this information. Any liabilities are hereby expressly disclaimed.

The information contained herein has been provided by the NTA but does not purport to be comprehensive or final. Recipients should not rely on the information. Neither the NTA nor any of its directors, officers, employees, agents, stakeholders or advisers make any representation or warranty as to, or accept any liability or responsibility in relation to, the adequacy, accuracy, reasonableness or completeness of the information provided as part of this document or any matter on which the information is based (including but not limited to loss or damage arising as a result of reliance by recipients on the information or any part of it). Any liabilities are hereby expressly disclaimed.

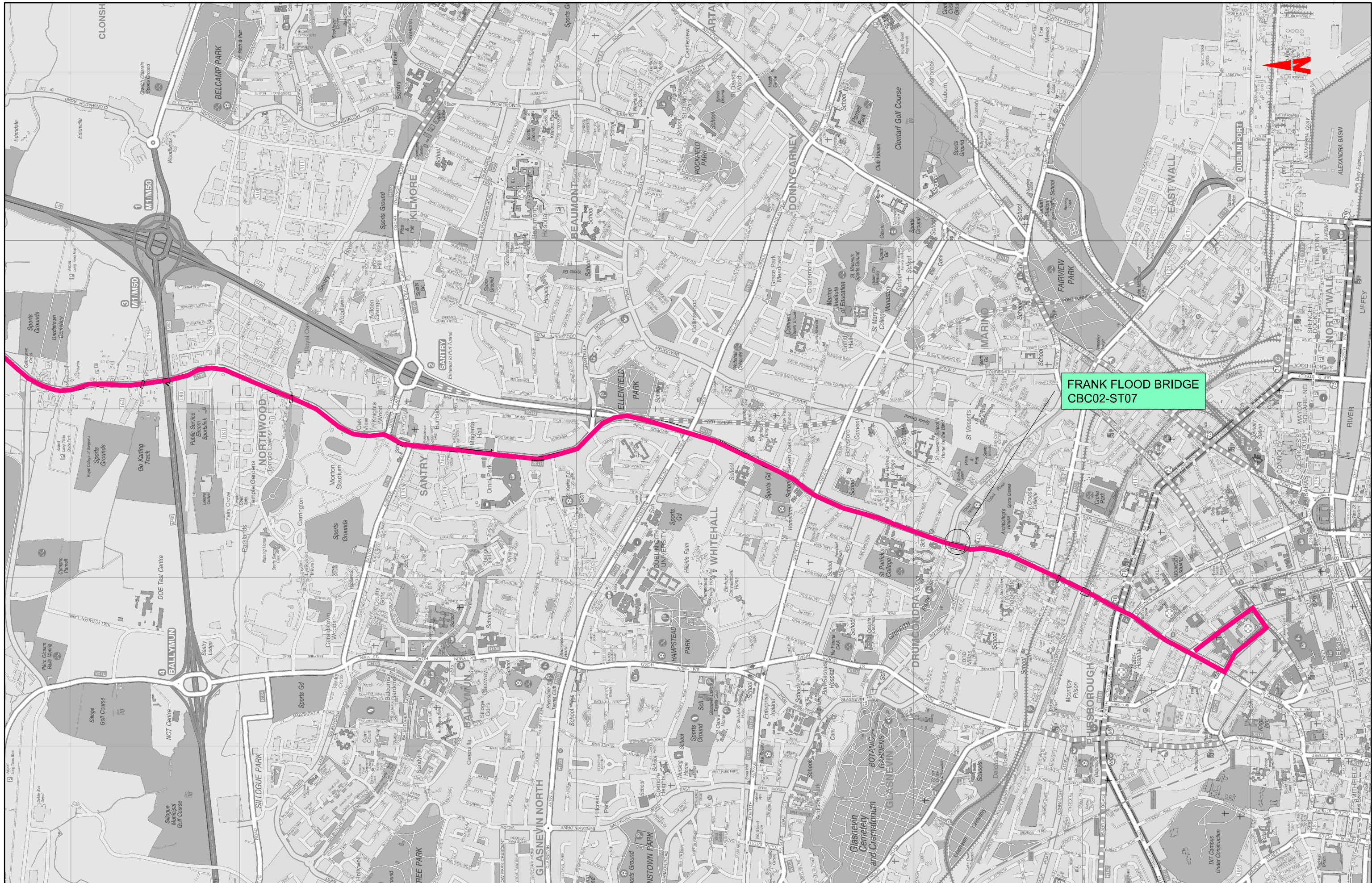
Project Ireland 2040
Building Ireland's Future

Rev	Date	Dm	Chk'd	App'd	Description
M01	06/04/2023	RG	JM	HO	ISSUE FOR PHASE 4 PLANNING

Client NTA Údarás Náisiúnta Iompair National Transport Authority		Engineering Designer Jacobs		
Date 06/04/2023	Scale NTS @ A1 NTS @ A3	Drawn RG	Checked JM	Approved HO
Project Code BCIDB	Originator Code JAC	OMS Code		

Programme Title BUSCONNECTS DUBLIN CORE BUS CORRIDORS INFRASTRUCTURE WORKS			
Drawing Title SWORDS TO CITY CENTRE SCHEME FRANK FLOOD BRIDGE COVER SHEET			
Drawing File Name BCIDB-JAC-STR_IX_-0002_BR_00-DR-CB-0001	Sheet Number 01 of 1	Status A	Rev M01

DO NOT SCALE USE FIGURED DIMENSIONS ONLY



FRANK FLOOD BRIDGE
CBC02-ST07

Disclaimer:
 a. National Transport Authority (NTA) 2022. This drawing is confidential and the copyright in it is owned by NTA. This drawing must not be either loaned, copied or otherwise reproduced in whole or in part or used for any purpose without the prior permission of NTA.
 b. This drawing is to be used for the design element identified in the titleblock. Other information shown is to be considered indicative only. The drawing is to be read in conjunction with all other relevant design drawings.
 c. D.S. data used for plans are printed under Ordnance Survey Ireland Government of Ireland. All rights reserved. Licence Number 2022/OS_NMA_180 National Transport Authority. All elevations are in metres and relate to OSi Geoid Model (OSGM15) Mean Head. All Co-ordinates are in Irish Transverse Mercator Grid (ITM) as defined by OSI active local GPS station.
 d. Information concerning the position of apparatus shown on this drawing is based on drawings supplied by the utility owners and/or the utility works contractor, whilst every care has been taken in the preparation of this drawing, positions should be taken as approximate and are intended for general guidance only. The drawing is to be read in conjunction with all other relevant design drawings. The information contained herein does not purport to be comprehensive or final as the apparatus is subject to being altered and/or superseded. Recipients should not rely on this information. Any liabilities are hereby expressly disclaimed.

Project Ireland 2040
 Building Ireland's Future

The information contained herein has been provided by the NTA but does not purport to be comprehensive or final. Recipients should not rely on the information. Neither the NTA nor any of its directors, officers, employees, agents, stakeholders or advisers make any representation or warranty as to, or accept any liability or responsibility in relation to, the adequacy, accuracy, reasonableness or completeness of the information provided as part of this document or any matter on which the information is based (including but not limited to loss or damage arising as a result of reliance by recipients on the information or any part of it). Any liabilities are hereby expressly disclaimed.

Rev	Date	Drn	Chk'd	App'd	Description
M01	06/04/2023	RG	AR	HO	ISSUE FOR PHASE 4 PLANNING

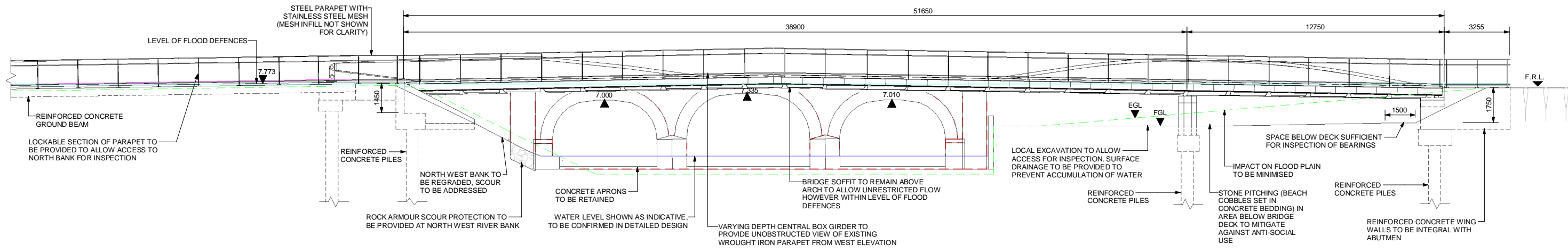
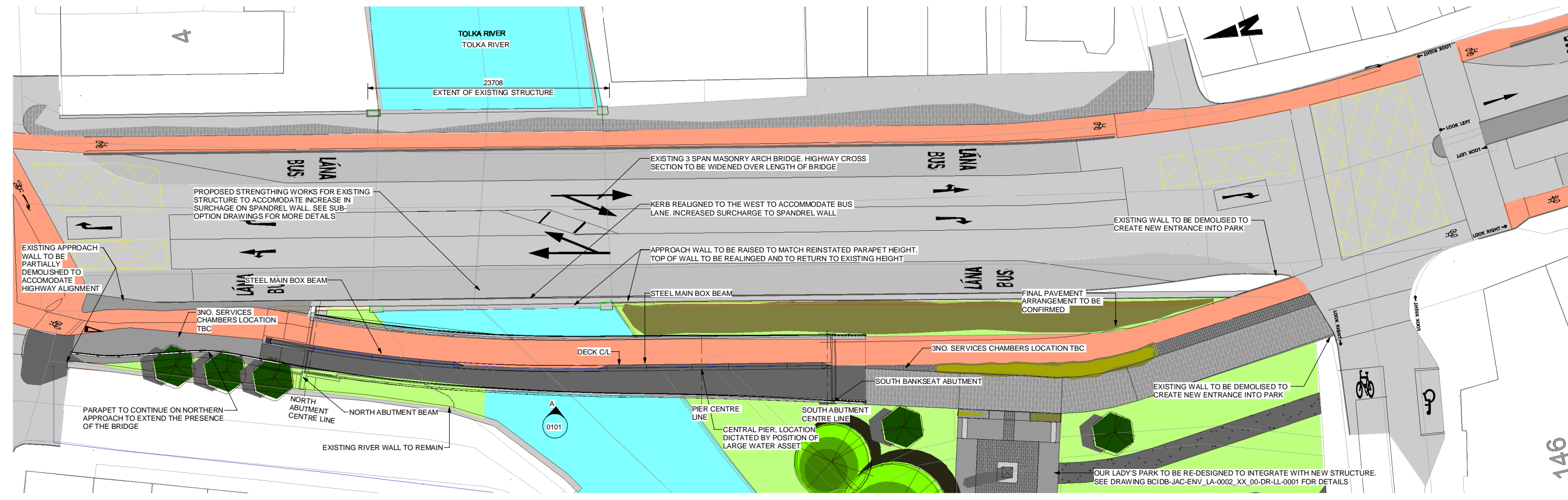
Client		Engineering Designer		Programme Title	
NTA Ódará Náisiúnta Iompair National Transport Authority		Jacobs		BUSCONNECTS DUBLIN CORE BUS CORRIDORS INFRASTRUCTURE WORKS	
Date	Scale	Drawn	Checked	Approved	
06/04/2023	1:10000 @ A1 1:20000 @ A3	RG	JM	HO	
Project Code	Originator Code	QMS Code			
BCIDB	JAC				

Drawing File Name	Sheet Number	Status	Rev
BCIDB-JAC-STR_ZZ-0002_BR_00-DR-SS-0001	01 of 01	A	M01

Drawing Title: **FRANK FLOOD BRIDGE SITE LOCATION PLAN**

DIT Campus Under Construction

- NOTES:**
1. All dimensions are in millimetres unless noted otherwise.
 2. All levels and chainages are in metres unless noted otherwise.
 3. All details shown on this drawing are indicative only and subject to development.



c:\pwworking\jacob..._uk_highways\..._BR_00-DR-CB-0101.rvt

Disclaimer

a. © National Transport Authority (NTA) 2022. This drawing is confidential and the copyright in it is owned by NTA. This drawing must not be either loaned, copied or otherwise reproduced in whole or in part or used for any purpose without the prior permission of NTA.

b. This drawing is to be used for the design element identified in the title box. Other information shown is to be considered indicative only. The drawing is to be read in conjunction with all other relevant design drawings.

c. O.S. data used for plans are printed under © Ordnance Survey Ireland Government of Ireland. All rights reserved. Licence Number 2022/OS_NMA_190 National Transport Authority. All elevations are not used for any purpose without the prior permission of NTA. Transverse Mercator Grid (ITM) as defined by OSI active local GPS station.

d. Information concerning the position of apparatus shown on this drawing is based on drawings supplied by the utility owners and/or the utility works contractor, whilst every care has been taken in the preparation of this drawing, positions should be taken as approximate and are intended for general guidance only and no representation is made by the NTA as to the accuracy, completeness, sufficiency or otherwise of this drawing, positions should be taken as approximate and are intended for general guidance only and no representation is made by the NTA as to the accuracy, completeness, sufficiency or otherwise of this drawing and the position of the apparatus. The information contained herein does not purport to be comprehensive or final as the apparatus is subject to being altered and/or superseded. Recipients should not rely on this information. Any liabilities are hereby expressly disclaimed.

e. The information contained herein has been provided by the NTA but does not purport to be comprehensive or final. Recipients should not rely on the information. Neither the NTA nor any of its directors, officers, employees, agents, stakeholders or advisers make any representation or warranty as to, or accept any liability or responsibility in relation to, the adequacy, accuracy, reasonableness or completeness of the information provided as part of this document or any matter on which the information is based (including but not limited to loss or damage arising as a result of reliance by recipients on the information or any part of it). Any liabilities are hereby expressly disclaimed.



Rev	Date	Drn	Chk'd	App'd	Description
M01	06/04/2023	RG	JM	HO	ISSUE FOR PHASE 4 PLANNING

Client: **NTA**
Údarás Náisiúnta Iompair
National Transport Authority

Engineering Designer: **Jacobs**

Date: 06/04/2023
Scale: As indicated @ A1

Project Code: BCIDB
Originator Code: JAC

Drawn: RG
Checked: JM
Approved: HO

Programme Title: **BUSCONNECTS DUBLIN CORE BUS CORRIDORS INFRASTRUCTURE WORKS**

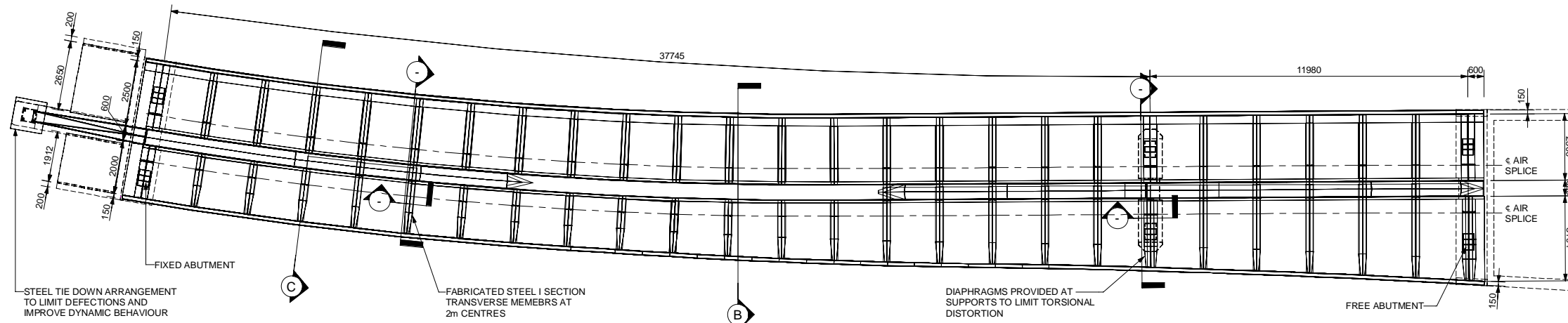
Drawing title: **SWORDS TO CITY CENTRE SCHEME FRANK FLOOD BRIDGE GENERAL ARRANGEMENT SHEET 1 OF 3**

Drawing File Name: BCIDB-JAC-STR_GA-0002_BR_00-DR-CB-0101

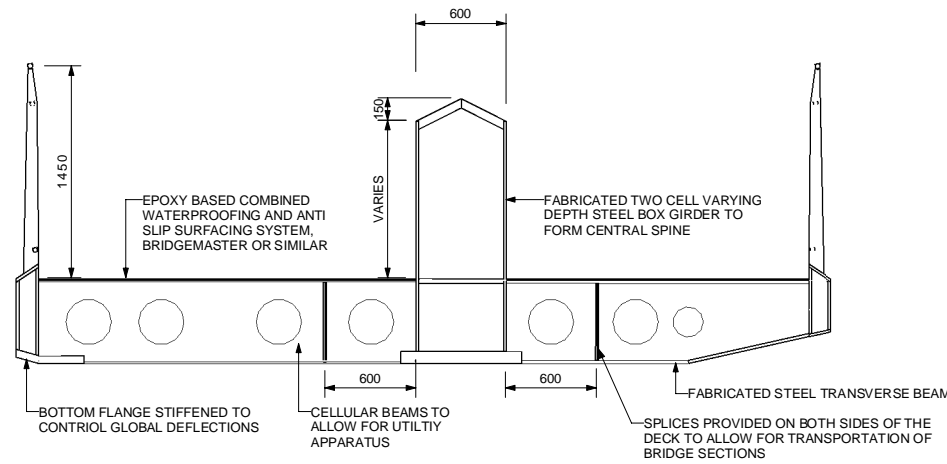
Sheet Number: 1 of 3
Status: A
Rev: M01

DO NOT SCALE USE FIGURED DIMENSIONS ONLY

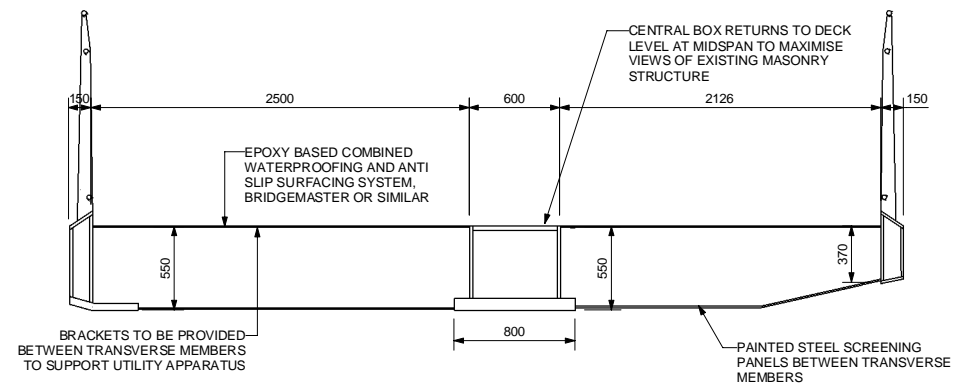
- NOTES:**
1. All dimensions are in millimetres unless noted otherwise.
 2. All levels and chainages are in metres unless noted otherwise.
 3. All details shown on this drawing are indicative only and subject to development.



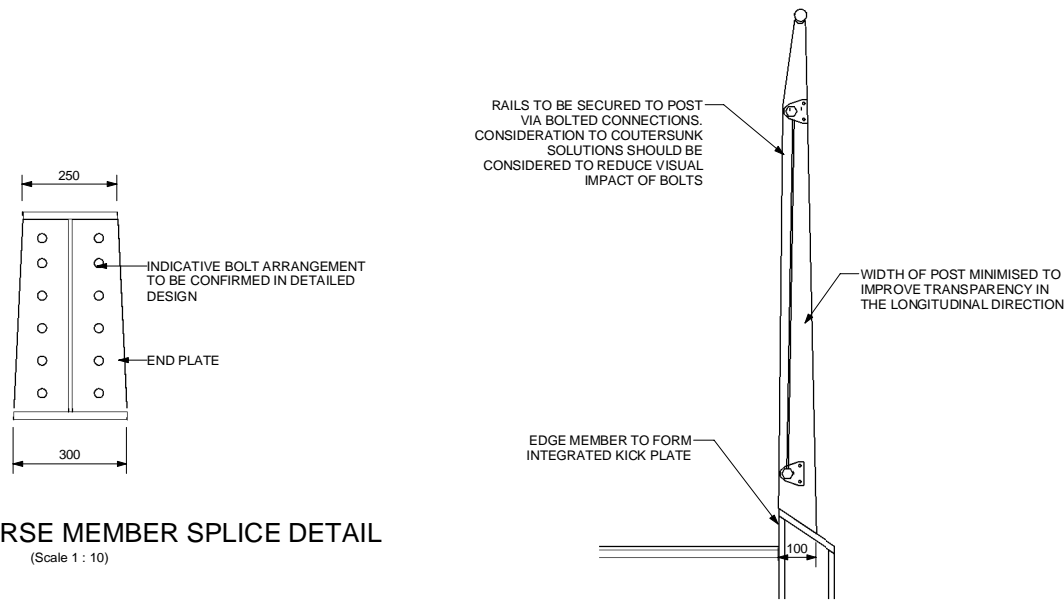
STRUCTURAL PLAN
(Scale 1 : 100)



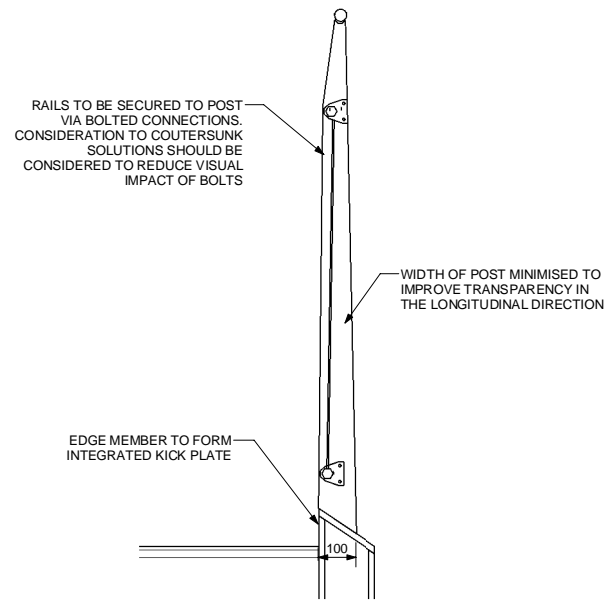
SECTION C
(Scale 1 : 25)



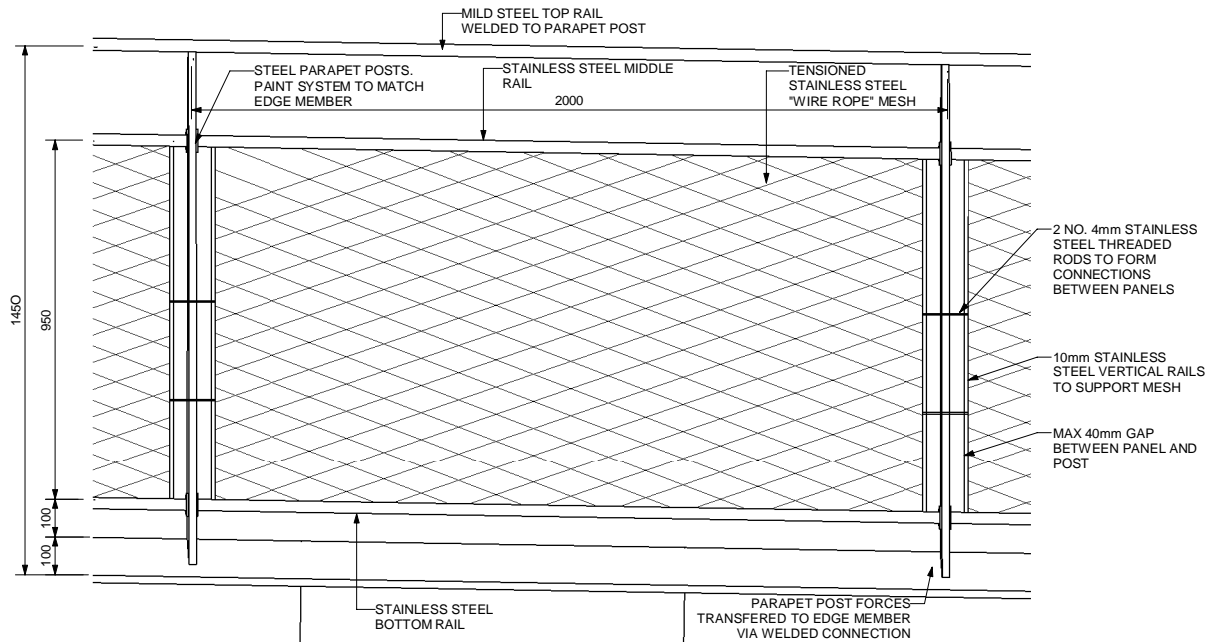
SECTION B
(Scale 1 : 25)



TYPICAL TRANSVERSE MEMBER SPLICE DETAIL
(Scale 1 : 10)



TYPICAL PARAPET POST
(Scale 1 : 10)



PARAPET DETAIL
(Scale 1 : 10)

Disclaimer

a. © National Transport Authority (NTA) 2022. This drawing is confidential and the copyright in it is owned by NTA. This drawing must not be either loaned, copied or otherwise reproduced in whole or in part or used for any purpose without the prior permission of NTA.

b. This drawing is to be used for the design element identified in the title box. Other information shown is to be considered indicative only. The drawing is to be read in conjunction with all other relevant design drawings.

c. O.S. data used for plans are printed under © Ordnance Survey Ireland Government of Ireland. All rights reserved. Licence Number 2022/OS_NMA_180 National Transport Authority. All elevations are not used for any purpose without the prior permission of NTA. Transverse Mercator Grid (ITM) as defined by OSI active local GPS station.

d. Information concerning the position of apparatus shown on this drawing is based on drawings supplied by the utility owners and/or the utility works contractor, whilst every care has been taken in the preparation of this drawing, positions should be taken as approximate and are intended for general guidance only and no representation is made by the NTA as to the accuracy, completeness, sufficiency or otherwise of this drawing, positions should be taken as approximate and are intended for general guidance only and no representation is made by the NTA as to the accuracy, completeness, sufficiency or otherwise of this drawing and the position of the apparatus. The information contained herein does not purport to be comprehensive or final as the apparatus is subject to being altered and/or superseded. Recipients should not rely on this information. Any liabilities are hereby expressly disclaimed.

e. The information contained herein has been provided by the NTA but does not purport to be comprehensive or final. Recipients should not rely on the information. Neither the NTA nor any of its directors, officers, employees, agents, stakeholders or advisers make any representation or warranty as to, or accept any liability or responsibility in relation to, the adequacy, accuracy, reasonableness or completeness of the information provided as part of this document or any matter on which the information is based (including but not limited to loss or damage arising as a result of reliance by recipients on the information or any part of it). Any liabilities are hereby expressly disclaimed.



Rev	Date	Drn	Chk'd	App'd	Description
M01	06/04/2023	RG	JM	HO	ISSUE FOR PHASE 4 PLANNING

Client: **NTA**
Údarás Náisiúnta Iompair
National Transport Authority

Engineering Designer: **Jacobs**

Date: 06/04/2023
Scale: As indicated @ A1

Project Code: BCIDB
Originator Code: JAC

Drawn: RG
Checked: JM
Approved: HO

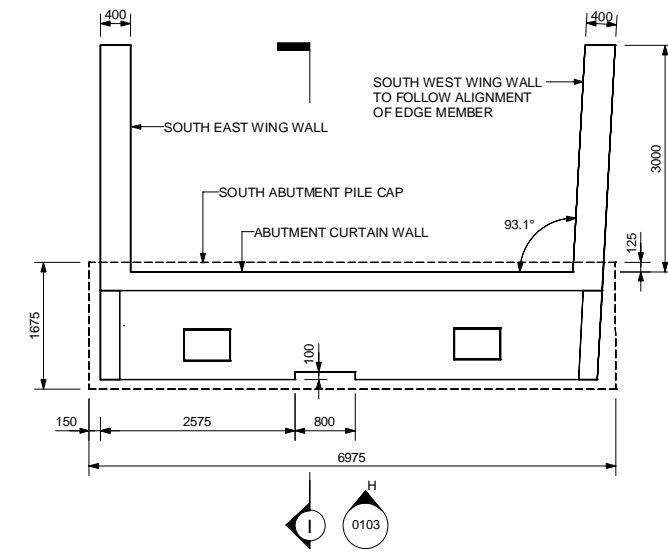
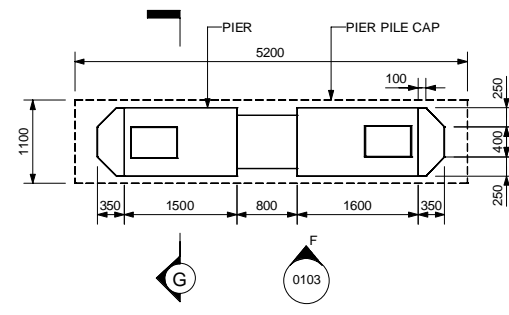
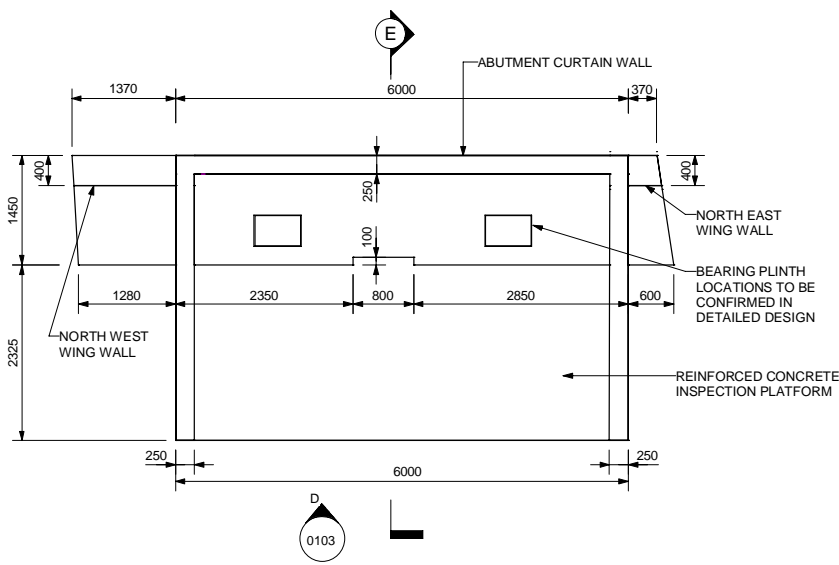
Programme Title: **BUSCONNECTS DUBLIN CORE BUS CORRIDORS INFRASTRUCTURE WORKS**

Drawing title: **SWORDS TO CITY CENTRE SCHEME FRANK FLOOD BRIDGE GENERAL ARRANGEMENT SHEET 2 OF 3**

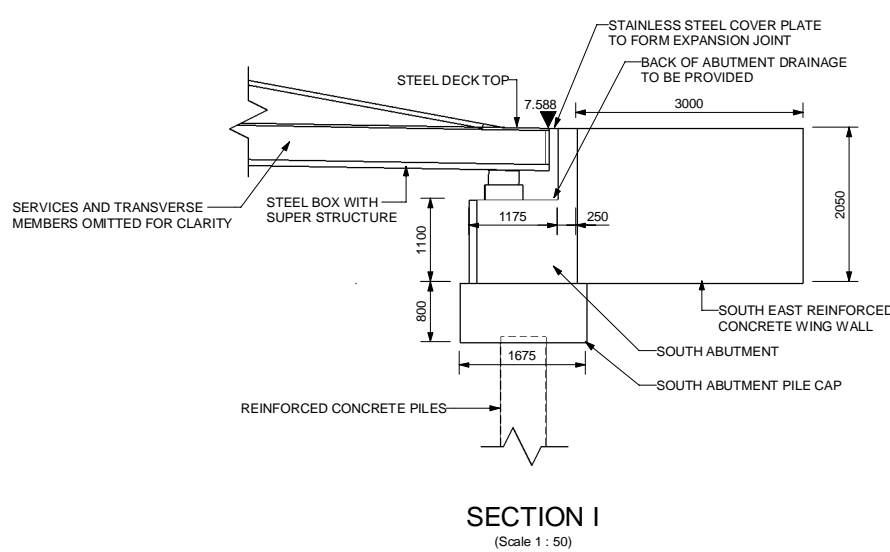
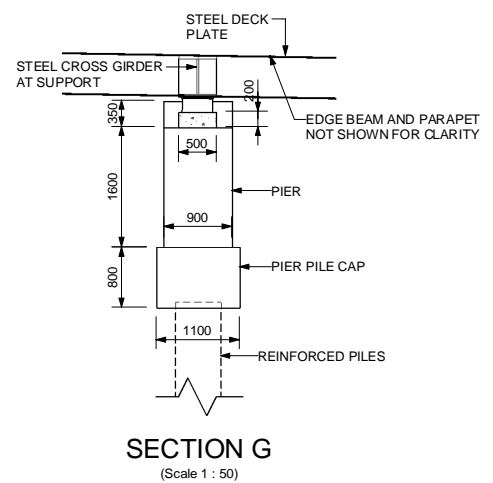
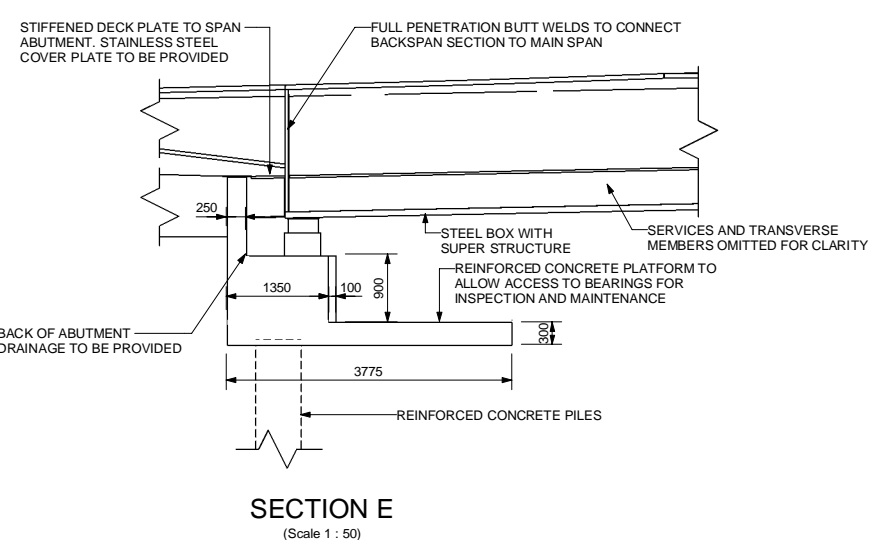
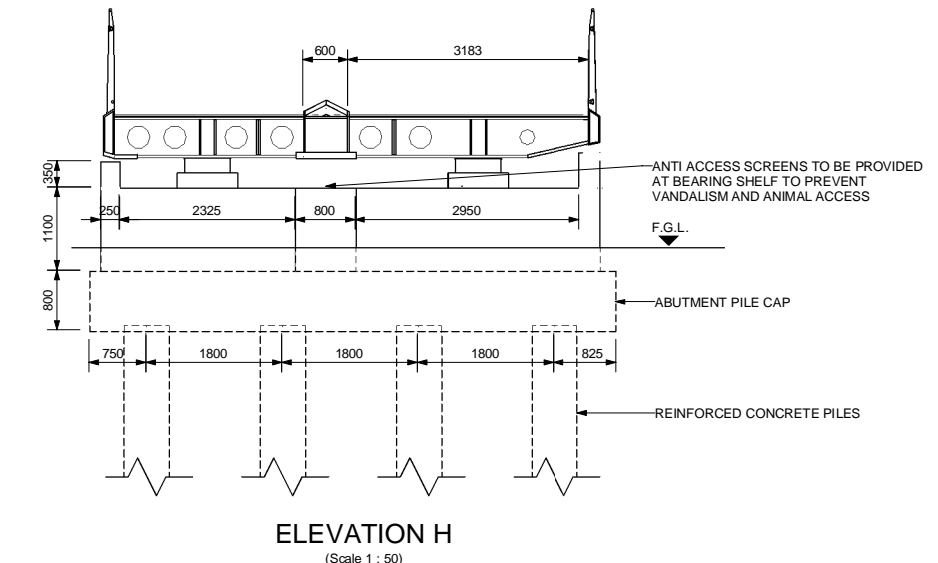
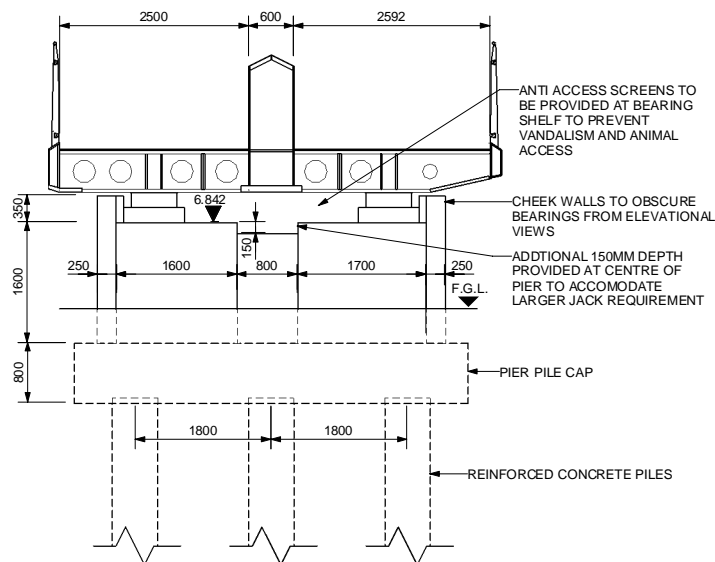
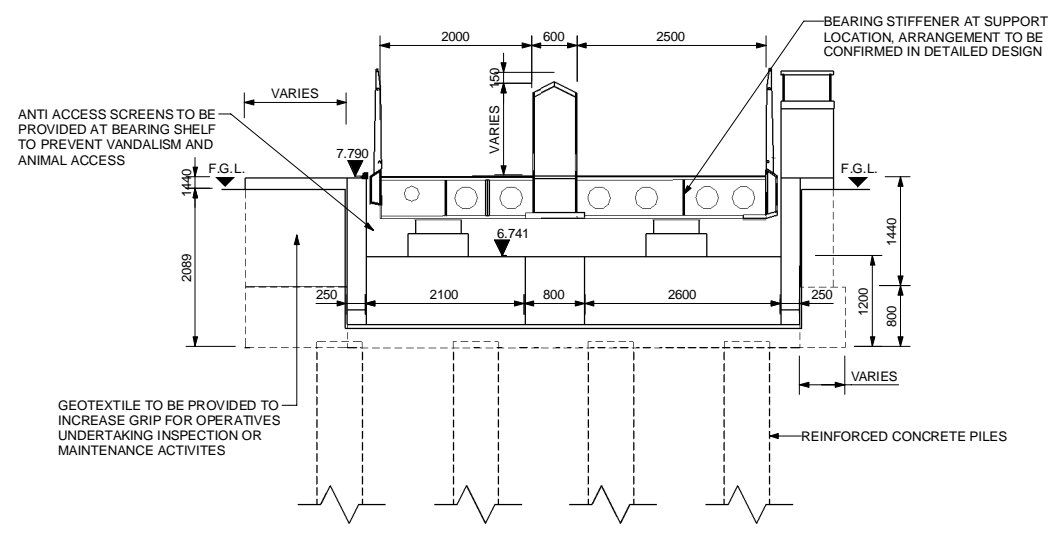
Drawing File Name: BCIDB-JAC-STR_GA-0002_BR_00-DR-CB- 0102

Sheet Number: 2 of 3
Status: A
Rev: M01

DO NOT SCALE USE FIGURED DIMENSIONS ONLY



- NOTES:**
- All dimensions are in millimetres unless noted otherwise.
 - All levels and chainages are in metres unless noted otherwise.
 - All details shown on this drawing are indicative only and subject to development.



Disclaimer

a. © National Transport Authority (NTA) 2022. This drawing is confidential and the copyright in it is owned by NTA. This drawing must not be either loaned, copied or otherwise reproduced in whole or in part or used for any purpose without the prior permission of NTA.

b. This drawing is to be used for the design element identified in the title box. Other information shown is to be considered indicative only. The drawing is to be read in conjunction with all other relevant design drawings.

c. O.S. data used for plans are printed under © Ordnance Survey Ireland Government of Ireland. All rights reserved. Licence Number 2022/OS_NMA_180 National Transport Authority. All elevations are not used for any purpose without the prior permission of NTA. Transverse Mercator Grid (ITM) as defined by OSI active local GPS station.

d. Information concerning the position of apparatus shown on this drawing is based on drawings supplied by the utility owners and/or the utility works contractor, whilst every care has been taken in the preparation of this drawing, positions should be taken as approximate and are intended for general guidance only and no representation is made by the NTA as to the accuracy, completeness, sufficiency or otherwise of this drawing, positions should be taken as approximate and are intended for general guidance only and no representation is made by the NTA as to the accuracy, completeness, sufficiency or otherwise of this drawing and the position of the apparatus. The information contained herein does not purport to be comprehensive or final as the apparatus is subject to being altered and/or superseded. Recipients should not rely on this information. Any liabilities are hereby expressly disclaimed.

e. The information contained herein has been provided by the NTA but does not purport to be comprehensive or final. Recipients should not rely on the information. Neither the NTA nor any of its directors, officers, employees, agents, stakeholders or advisers make any representation or warranty as to, or accept any liability or responsibility in relation to, the adequacy, accuracy, reasonableness or completeness of the information provided as part of this document or any matter on which the information is based (including but not limited to loss or damage arising as a result of reliance by recipients on the information or any part of it). Any liabilities are hereby expressly disclaimed.



Rev	Date	Drn	Chk'd	App'd	Description
M01	06/04/2021	RG	JM	HO	ISSUE FOR PHASE 4 PLANNING

Client: **NTA**
Údarás Náisiúnta Iompair
National Transport Authority

Engineering Designer: **Jacobs**

Date: 06/04/2023
Scale: 1:50 @ A1

Project Code: BCIDB
Originator Code: JAC

Drawing File Name: BCIDB-JAC-STR_GA-0002_BR_00-DR-CB-0103

Programme Title: **BUSCONNECTS DUBLIN CORE BUS CORRIDORS INFRASTRUCTURE WORKS**

Drawing Title: **SWORDS TO CITY CENTRE SCHEME FRANK FLOOD BRIDGE GENERAL ARRANGEMENT SHEET 3 OF 3**

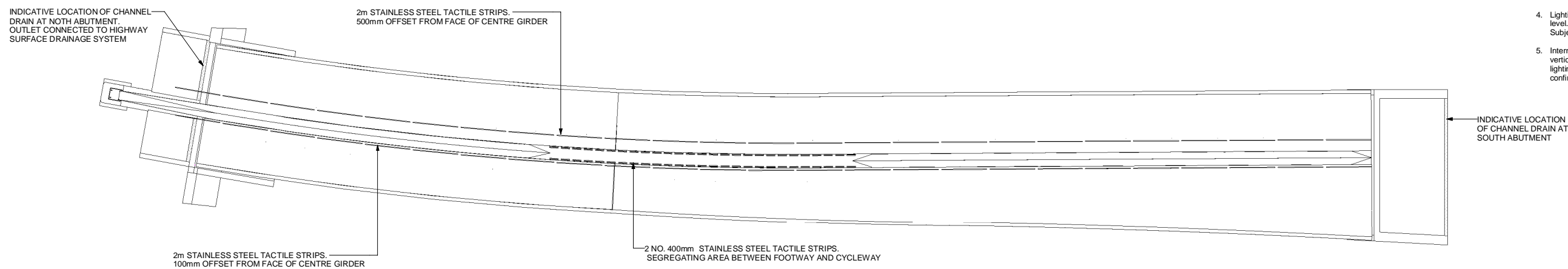
Drawing File Name: BCIDB-JAC-STR_GA-0002_BR_00-DR-CB-0103

Sheet Number: 3 of 3
Status: A
Rev: M01

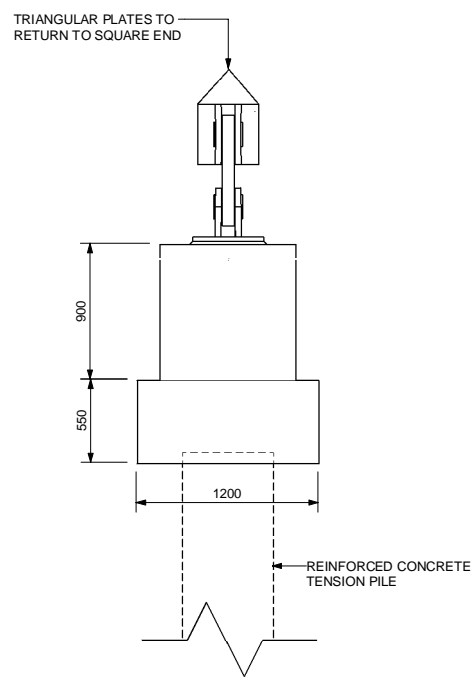
DO NOT SCALE USE FIGURED DIMENSIONS ONLY

NOTES:

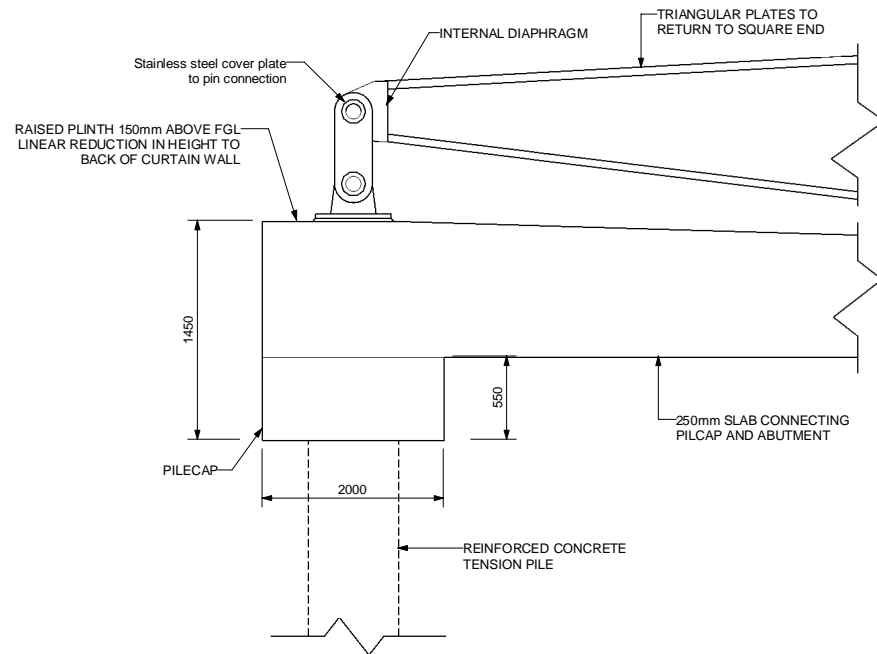
1. All dimensions are in millimetres unless noted otherwise.
2. All levels and chainages are in metres unless noted otherwise.
3. All details shown on this drawing are indicative only and subject to development.
4. Lighting anticipated to be provided by spotlights placed at deck level. Locations to be coordinated with the parapet post set out. Subject to review and confirmation in detailed design.
5. Intermediate drainage to be provided by penetrations in deck with vertical pipes to soffit outlets. Locations to be coordinated with the lighting and parapet post set out. Subject to review and confirmation in detailed design.



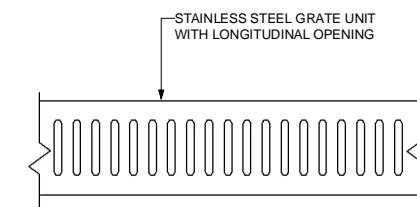
DECK PLAN
(Scale 1 : 100)



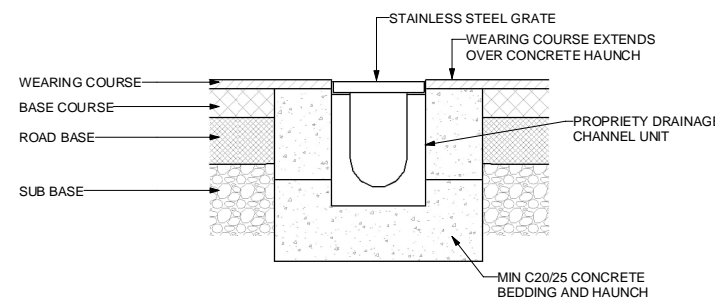
PIN DETAIL
(Scale 1 : 25)



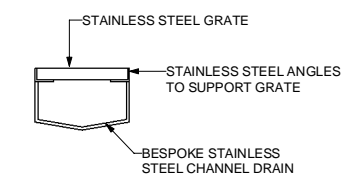
PIN CONNECTION DETAILS
(Scale 1 : 25)



STAINLESS STEEL GRATE UNIT
(Scale 1 : 10)



SOUTH ABUTMENT CHANNEL DRAIN DETAIL
(Scale 1 : 10)



NORTH ABUTMENT CHANNEL DRAIN DETAIL
(Scale 1 : 10)

Disclaimer

a. © National Transport Authority (NTA) 2022. This drawing is confidential and the copyright in it is owned by NTA. This drawing must not be either loaned, copied or otherwise reproduced in whole or in part or used for any purpose without the prior permission of NTA.

b. This drawing is to be used for the design element identified in the title box. Other information shown is to be considered indicative only. The drawing is to be read in conjunction with all other relevant design drawings.

c. O.S. data used for plans are printed under © Ordnance Survey Ireland Government of Ireland. All rights reserved. Licence Number 2022/OS_NMA_190 National Transport Authority. All elevations are not used for any purpose without the prior permission of NTA. Transverse Mercator Grid (ITM) as defined by OSI active local GPS station.

d. Information concerning the position of apparatus shown on this drawing is based on drawings supplied by the utility owners and/or the utility works contractor, whilst every care has been taken in the preparation of this drawing, positions should be taken as approximate and are intended for general guidance only and no representation is made by the NTA as to the accuracy, completeness, sufficiency or otherwise of this drawing, positions should be taken as approximate and are intended for general guidance only and no representation is made by the NTA as to the accuracy, completeness, sufficiency or otherwise of this drawing and the position of the apparatus. The information contained herein does not purport to be comprehensive or final as the apparatus is subject to being altered and/or superseded. Recipients should not rely on this information. Any liabilities are hereby expressly disclaimed.

e. The information contained herein has been provided by the NTA but does not purport to be comprehensive or final. Recipients should not rely on the information. Neither the NTA nor any of its directors, officers, employees, agents, stakeholders or advisers make any representation or warranty as to, or accept any liability or responsibility in relation to, the adequacy, accuracy, reasonableness or completeness of the information provided as part of this document or any matter on which the information is based (including but not limited to loss or damage arising as a result of reliance by recipients on the information or any part of it). Any liabilities are hereby expressly disclaimed.

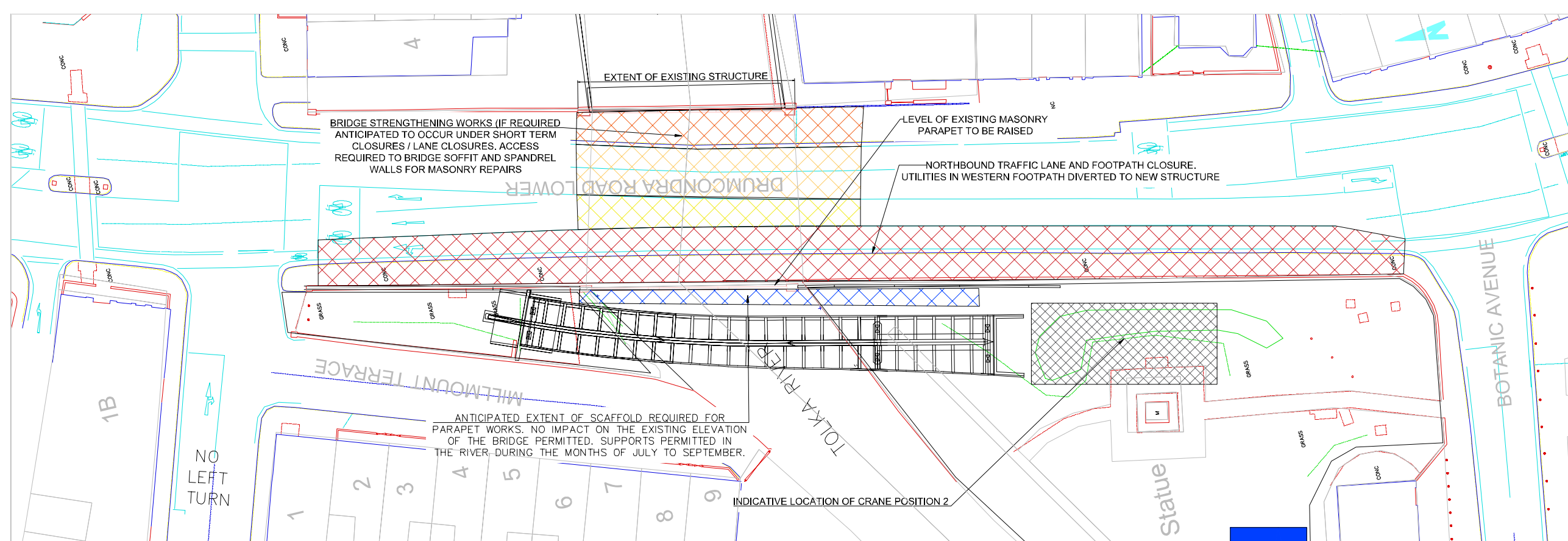


Rev	Date	Drn	Chk'd	App'd	Description
M01	06/04/2023	RG	JM	HO	ISSUE FOR PHASE 4 PLANNING

<p>Údarás Náisiúnta Iompair National Transport Authority</p>				
Date	Scale	Drawn	Checked	Approved
06/04/2023	As indicated @ A1	RG	JM	HO
Project Code	Originator Code	GMS Code		
BCIDB	JAC			

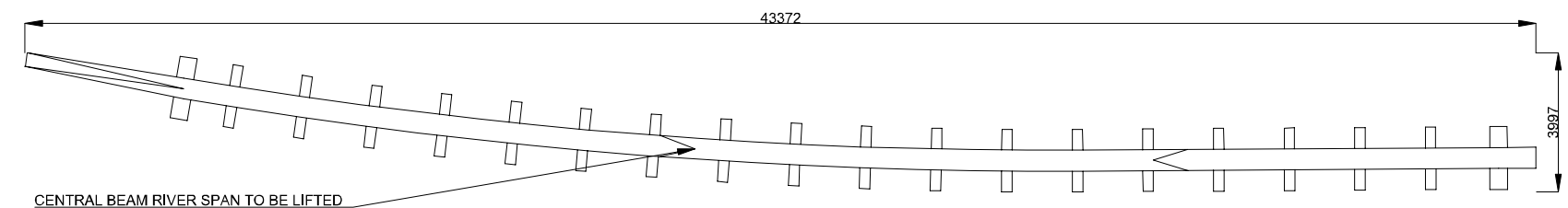
<p>BUSCONNECTS DUBLIN CORE BUS CORRIDORS INFRASTRUCTURE WORKS</p>			
<p>Drawing title</p> <p>SWORDS TO CITY CENTRE SCHEME FRANK FLOOD BRIDGE MISCELLANEOUS DETAIL</p>			
Drawing File Name	Sheet Number	Status	Rev
BCIDB-JAC-STR_GA-0002_BR_00-DR-CB- 0104	1 of 1	A	M01

DO NOT SCALE USE FIGURED DIMENSIONS ONLY



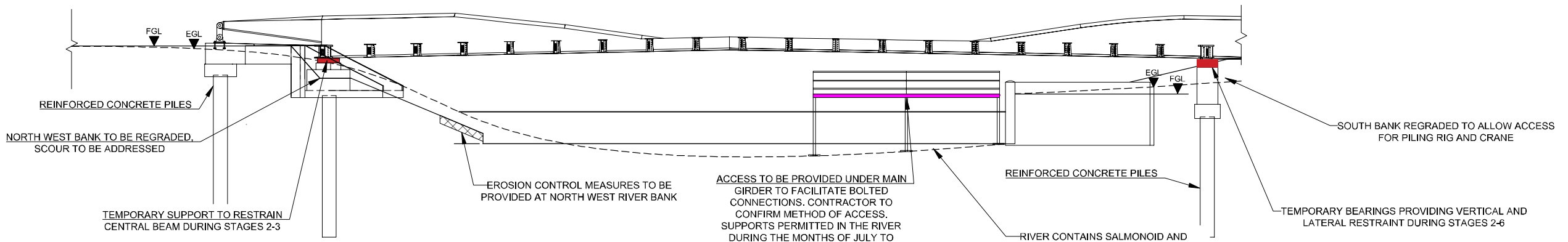
ANTICIPATED CONSTRUCTION STAGES 4-6

SCALE 1:250 @ A1



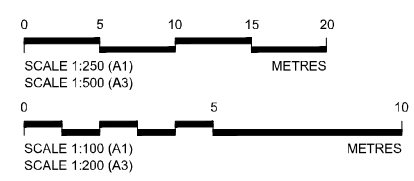
PLAN OF STAGE 2 BRIDGE LIFT

SCALE 1:100 @ A1



ELEVATION OF BRIDGE DURING STAGE 3

SCALE 1:100 @ A1



- NOTES :**
1. THE FOLLOWING PROCEDURE IS AN INDICATIVE SEQUENCE FOR THE CONSTRUCTION OF FRANK FLOOD BRIDGE. DETAILS TO BE CONFIRMED IN DETAILED DESIGN.
 2. ALL DIMENSIONS ARE SHOWN IN MILLIMETRES UNLESS NOTED OTHERWISE.
 3. ALL LEVELS ARE REFERRED TO ORDNANCE SURVEY DATUM, MALIN HEAD.
 4. THIS DRAWING IS ONLY TO BE USED FOR THE DESIGN ELEMENT IDENTIFIED IN THE TITLE BOX. ALL OTHER INFORMATION SHOWN ON THE DRAWING IS TO BE CONSIDERED INDICATIVE ONLY.
 5. THESE DRAWINGS ARE TO BE READ IN CONJUNCTION WITH ALL OTHER RELEVANT DESIGN DRAWINGS

Disclaimer:

a. © National Transport Authority (NTA) 2022. This drawing is confidential and the copyright in it is owned by NTA. This drawing must not be either loaned, copied or otherwise reproduced in whole or in part or used for any purpose without the prior permission of NTA.

b. This drawing is to be used for the design element identified in the title box. Other information shown is to be considered indicative only. The drawing is to be read in conjunction with all other relevant design drawings.

c. D.S. data used for plans are printed under © Ordnance Survey Ireland Government of Ireland. All rights reserved. Licence Number 2022/OS_NIMA_160 National Transport Authority. All elevations are in metres and relate to OSI Geoid Model (OSGM19) Malin Head. All Coordinates are in Irish Transverse Mercator Grid (ITM) as defined by OSI active local GPS station.

d. Information concerning the position of apparatus shown on this drawing is based on drawings supplied by the utility owners and/or the utility works contractor, whilst every care has been taken in the preparation of this drawing, positions should be taken as approximate and are intended for general guidance only and no representation is made by the NTA as to the accuracy, completeness, sufficiency or otherwise of this drawing and the position of the apparatus. The information contained herein does not purport to be comprehensive or final as the apparatus is subject to being altered and/or superceded. Recipients should not rely on this information. Any liabilities are hereby expressly disclaimed.

e. The information contained herein has been provided by the NTA but does not purport to be comprehensive or final. Recipients should not rely on the information. Neither the NTA nor any of its directors, officers, employees, agents, stakeholders or advisors, make any representation or warranty as to, or accept any liability or responsibility in relation to, the adequacy, accuracy, reasonableness or completeness of the information provided as part of this document or any matter on which the information is based (including but not limited to loss or damage arising as a result of reliance by recipients on the information or any part of it). Any liabilities are hereby expressly disclaimed.



Rev	Date	Drn	Chk'd	App'd	Description
M01	06/04/2023	RG	JM	HO	ISSUE FOR PHASE 4 PLANNING

Client

Date: 06/04/2023
Scale: 1:250 @ A1, 1:500 @ A3

Project Code: BCIDB
Originator Code: JAC

Engineering Designer

Drawn: RG
Checked: JM
Approved: HO

QMS Code

Programme Title BUSCONNECTS DUBLIN CORE BUS CORRIDORS INFRASTRUCTURE WORKS			
Drawing Title SWORDS TO CITY CENTRE SCHEME FRANK FLOOD BRIDGE ANTICIPATED CONSTRUCTION SEQUENCE AND PHASING			
Drawing File Name BCIDB-JAC-STR_GA-0002_BR_00-DR-CB-0702	Sheet Number 2 of 2	Status A	Rev M01

DO NOT SCALE USE FIGURED DIMENSIONS ONLY