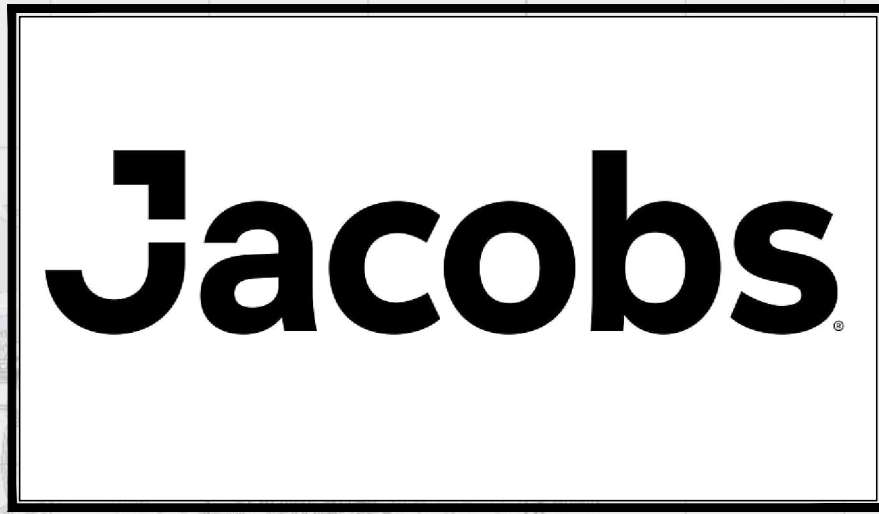


Appendix B18

Frank Flood Bridge General Arrangement



BUSCONNECTS DUBLIN CORE BUS CORRIDORS INFRASTRUCTURE WORKS

SWORDS TO CITY CENTRE SCHEME

DRAWING SERIES NUMBER(S)	DRAWING SERIES DESCRIPTION
BCIDB-JAC-STR_IX-0002_BR_00-DR-CB-0001	SWORDS TO CITY CENTRE. FRANK FLOOD BRIDGE COVER SHEET
BCIDB-JAC-STR_ZZ-0002_BR_00-DR-SS-0001	SWORDS TO CITY CENTRE. FRANK FLOOD BRIDGE SITE LOCATION PLAN
BCIDB-JAC-STR_GA-0002_BR_00-DR-CB-0101	SWORDS TO CITY CENTRE. FRANK FLOOD BRIDGE GENERAL ARRANGEMENT SHEET 1
BCIDB-JAC-STR_GA-0002_BR_00-DR-CB-0102	SWORDS TO CITY CENTRE. FRANK FLOOD BRIDGE GENERAL ARRANGEMENT SHEET 2
BCIDB-JAC-STR_GA-0002_BR_00-DR-CB-0103	SWORDS TO CITY CENTRE. FRANK FLOOD BRIDGE GENERAL ARRANGEMENT SHEET 3
BCIDB-JAC-STR_GA-0002_BR_00-DR-CB-0104	SWORDS TO CITY CENTRE. FRANK FLOOD BRIDGE MISCELLANEOUS DETAILS
BCIDB-JAC-STR_GA-0002_BR_00-DR-CB-0701	SWORDS TO CITY CENTRE. FRANK FLOOD BRIDGE SEQUENCING PLAN SHEET 1
BCIDB-JAC-STR_GA-0002_BR_00-DR-CB-0702	SWORDS TO CITY CENTRE. FRANK FLOOD BRIDGE SEQUENCING PLAN SHEET 2

C:\pwworking\jacobs_uk_highways_ssa\glennor\0145208\BCIDB-JAC-STR_IX-0002_BR_00-DR-CB-0001.dwg

Disclaimer

a. © National Transport Authority (NTA) 2022. This drawing is confidential and the copyright in it is owned by NTA. This drawing must not be either loaned, copied or otherwise reproduced in whole or in part or used for any purpose without the prior permission of NTA.

b. This drawing is to be used for the design element identified in the title block. Other information shown is to be considered indicative only. The drawing is to be read in conjunction with all other relevant design drawings.

c. O.S. data used for plans are printed under © Ordnance Survey Ireland Government of Ireland. All rights reserved. Licence Number 2022/OSI_NMA_180 National Transport Authority. All elevations are in metres and relate to OSI Geoid Model (OSGM15) Mean Head. All Co-ordinates are in Irish Transverse Mercator Grid (ITM) as defined by OSI active local GPS station.

d. Information concerning the position of apparatus shown on this drawing is based on drawings supplied by the utility owners and/or the utility works contractor, whilst every care has been taken in the preparation of this drawing, positions should be taken as approximate and are intended for general guidance only and no representation is made by the NTA as to the accuracy, completeness, sufficiency or otherwise of this drawing and the position of the apparatus. The information contained herein does not purport to be comprehensive or final as the apparatus is subject to being altered and/or superseded. Recipients should not rely on this information. Any liabilities are hereby expressly disclaimed.

e. The information contained herein has been provided by the NTA but does not purport to be comprehensive or final. Recipients should not rely on the information. Neither the NTA nor any of its directors, officers, employees, agents, stakeholders or advisers make any representation or warranty as to, or accept any liability or responsibility in relation to, the adequacy, accuracy, reasonableness or completeness of the information provided as part of this document or any matter on which the information is based (including but not limited to loss or damage arising as a result of reliance by recipients on the information or any part of it). Any liabilities are hereby expressly disclaimed.

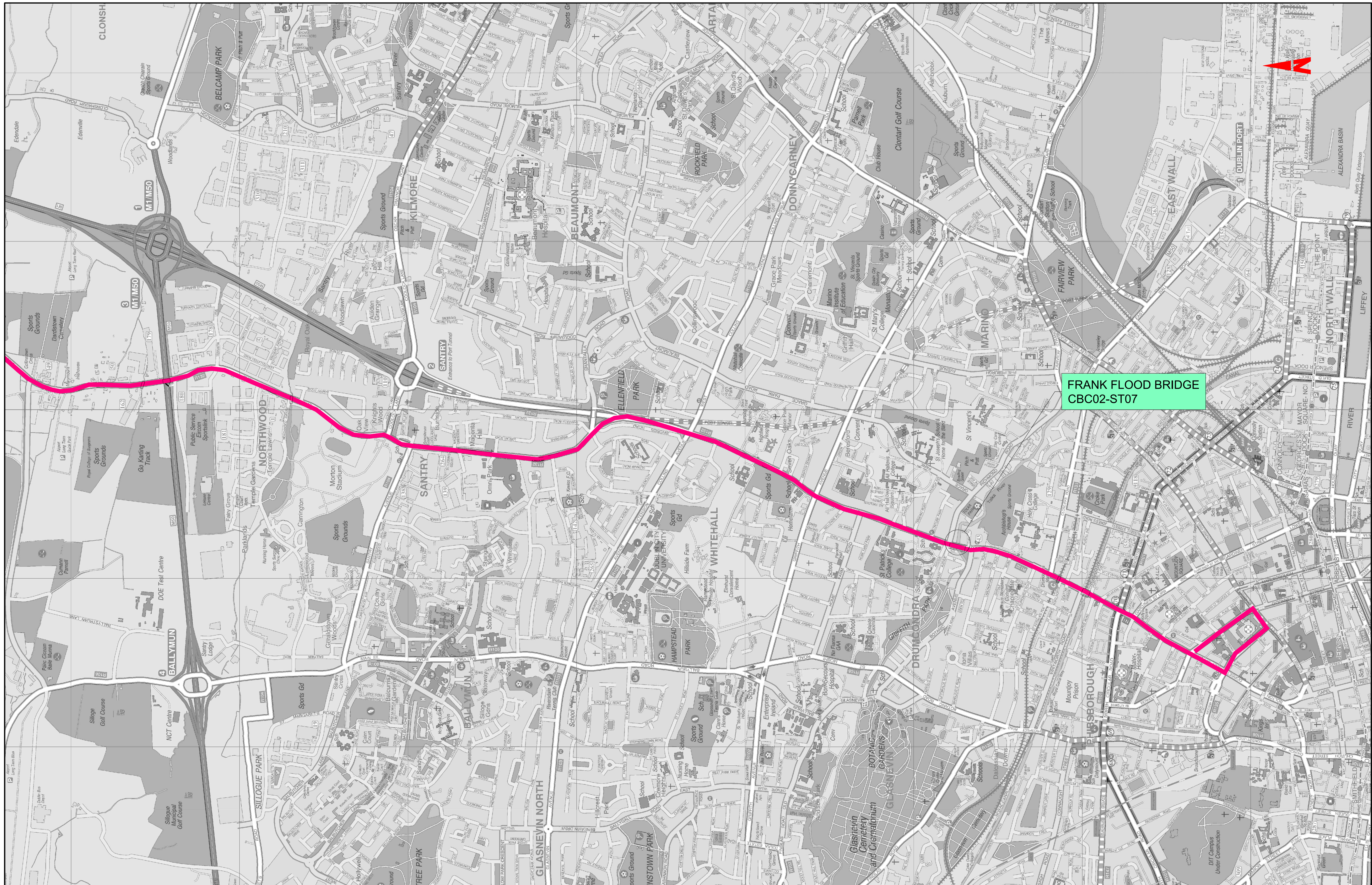


Rev	Date	Drm	Chk'd	App'd	Description
M01	06/04/2023	RG	JM	HO	ISSUE FOR PHASE 4 PLANNING

Client NTA Údarás Náisiúnta Iompair National Transport Authority		Engineering Designer Jacobs		
Date 06/04/2023	Scale NTS @ A1 NTS @ A3	Drawn RG	Checked JM	Approved HO
Project Code BCIDB	Originator Code JAC	QMS Code		

Programme Title BUSCONNECTS DUBLIN CORE BUS CORRIDORS INFRASTRUCTURE WORKS			
Drawing Title SWORDS TO CITY CENTRE SCHEME FRANK FLOOD BRIDGE COVER SHEET			
Drawing File Name BCIDB-JAC-STR_IX -0002_BR_00-DR-CB-0001	Sheet Number 01 of 1	Status A	Rev M01

DO NOT SCALE USE FIGURED DIMENSIONS ONLY



FRANK FLOOD BRIDGE
CBC02-ST07

Disclaimer
 a. © National Transport Authority (NTA) 2022. This drawing is confidential and the copyright in it is owned by NTA. This drawing must not be either loaned, copied or otherwise reproduced in whole or in part or used for any purpose without the prior permission of NTA.
 b. This drawing is to be used for the design element identified in the titlebox. Other information shown is to be considered indicative only. The drawing is to be read in conjunction with all other relevant design drawings.
 c. O.S. data used for plans are printed under © Ordnance Survey Ireland Government of Ireland. All rights reserved. Licence Number 2022/OS_PMA_180 National Transport Authority. All elevations are in metres and relate to OSi Geoid Model (OSGM15) Mean Head. All Co-ordinates are in Irish

Transverse Mercator Grid (ITM) as defined by OSI active local GPS station.
 d. Information concerning the position of apparatus shown on this drawing is based on drawings supplied by the utility owners and/or the utility works contractor, whilst every care has been taken in the preparation of this drawing, positions should be taken as approximate and are intended for general guidance only and no representation is made by the NTA as to the accuracy, completeness, sufficiency or otherwise of this drawing and the position of the apparatus. The information contained herein does not purport to be comprehensive or final as the apparatus is subject to being altered and/or superseded. Recipients should not rely on this information. Any liabilities are hereby expressly disclaimed.

The information contained herein has been provided by the NTA but does not purport to be comprehensive or final. Recipients should not rely on the information. Neither the NTA nor any of its directors, officers, employees, agents, stakeholders or advisers make any representation or warranty as to, or accept any liability or responsibility in relation to, the adequacy, accuracy, reasonableness or completeness of the information provided as part of this document or any matter on which the information is based (including but not limited to loss or damage arising as a result of reliance by recipients on the information or any part of it). Any liabilities are hereby expressly disclaimed.

Rev	Date	Dm	Chk'd	App'd	Description
M01	06/04/2023	RG	AR	HO	ISSUE FOR PHASE 4 PLANNING

Client
NTA
 Ódaráis Náisiúnta Iompair
 National Transport Authority

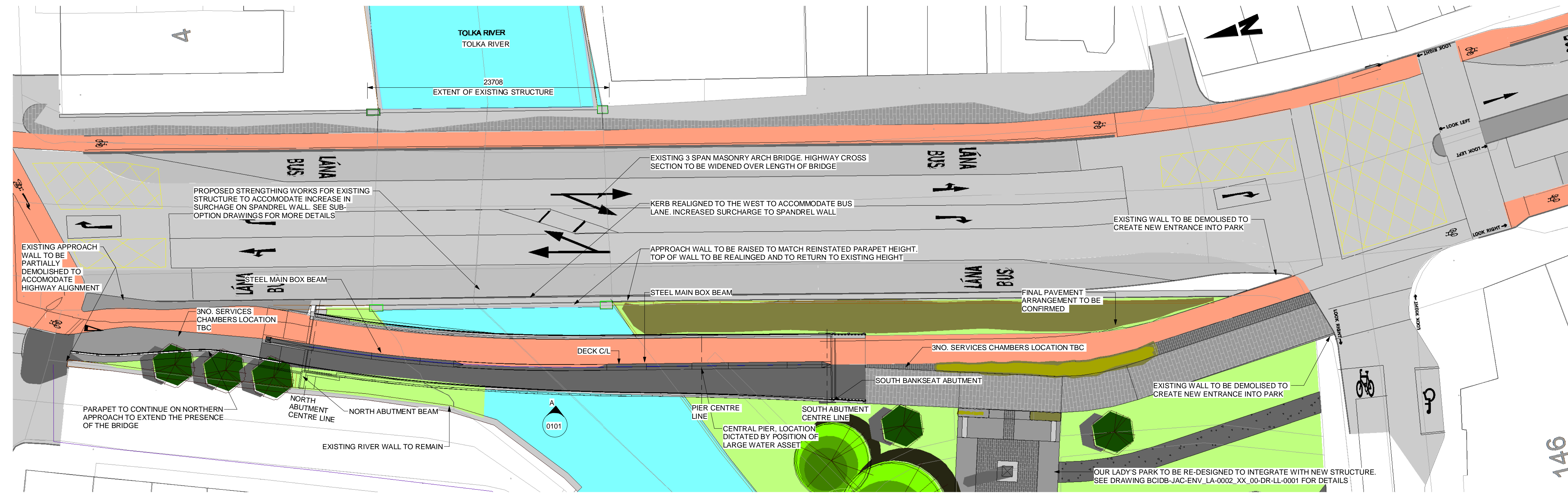
Engineering Designer
Jacobs

Date	Scale	Drawn	Checked	Approved
06/04/2023	1:10000 @ A1 1:20000 @ A3	RG	JM	HO
Project Code	Originator Code	QMS Code		
BCIDB	JAC			

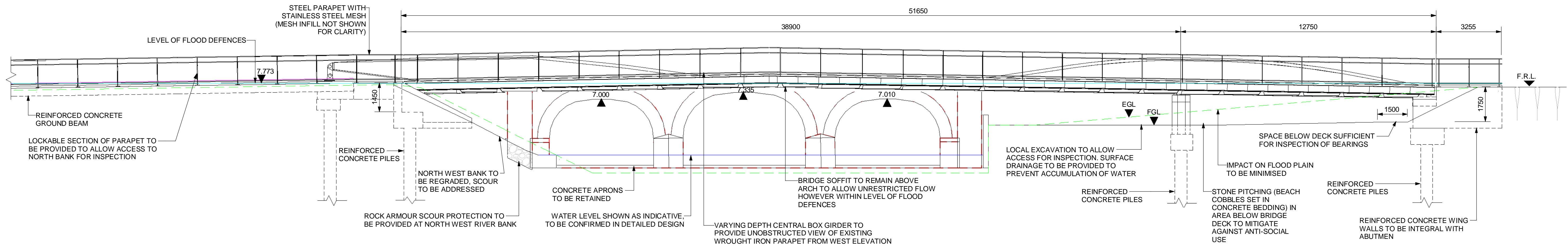
Programme Title		BUSCONNECTS DUBLIN			
		CORE BUS CORRIDORS INFRASTRUCTURE WORKS			
Drawing Title		SWORDS TO CITY CENTRE SCHEME			
		FRANK FLOOD BRIDGE			
		SITE LOCATION PLAN			
Drawing File Name	Sheet Number	Status	Rev		
BCIDB-JAC-STR_ZZ-0002_BR_00-DR-SS-0001	01 of 01	A	M01		

DO NOT SCALE USE FIGURED DIMENSIONS ONLY

- NOTES:**
1. All dimensions are in millimetres unless noted otherwise.
 2. All levels and chainages are in metres unless noted otherwise.
 3. All details shown on this drawing are indicative only and subject to development.



PLAN
(Scale 1 : 200)



ELEVATION A
(Scale 1 : 100)

c:\work\proj\0205_uk_highways_sfd\plan\01-140888\BCIDB-JAC-STR_GA-002_BR_00-DR-CB-0101.rvt

Disclaimer

a. © National Transport Authority (NTA) 2022. This drawing is confidential and the copyright in it is owned by NTA. This drawing must not be either loaned, copied or otherwise reproduced in whole or in part or used for any purpose without the prior permission of NTA.

b. This drawing is to be used for the design element identified in the titlebox. Other information shown is to be considered indicative only. The drawing is to be read in conjunction with all other relevant design drawings.

c. O.S. data used for plans are printed under © Ordnance Survey Ireland Government of Ireland. All rights reserved. Licence Number 2022/OSI_NMA_180 National Transport Authority. All elevations are not used for any purpose without the prior permission of NTA. Transverse Mercator Grid (ITM) as defined by OSI active local GPS station.

d. Information concerning the position of apparatus shown on this drawing is based on drawings supplied by the utility owners and/or the utility works contractor, whilst every care has been taken in the preparation of this drawing, positions should be taken as approximate and are intended for general guidance only and no representation is made by the NTA as to the accuracy, completeness, sufficiency or otherwise of this drawing and the position of the apparatus. The information contained herein does not purport to be comprehensive or final as the apparatus is subject to being altered and/or superseded. Recipients should not rely on this information. Any liabilities are hereby expressly disclaimed.

e. The information contained herein has been provided by the NTA but does not purport to be comprehensive or final. Recipients should not rely on the information. Neither the NTA nor any of its directors, officers, employees, agents, stakeholders or advisers make any representation or warranty as to, or accept any liability or responsibility in relation to, the adequacy, accuracy, reasonableness or completeness of the information provided as part of this document or any matter on which the information is based (including but not limited to loss or damage arising as a result of reliance by recipients on the information or any part of it). Any liabilities are hereby expressly disclaimed.



Rev	Date	Dm	Chkd	App'd	Description
M01	06/04/2023	RG	JM	HO	ISSUE FOR PHASE 4 PLANNING

Client: **NTA**
Údarás Náisiúnta Iompair
National Transport Authority

Engineering Designer: **Jacobs**

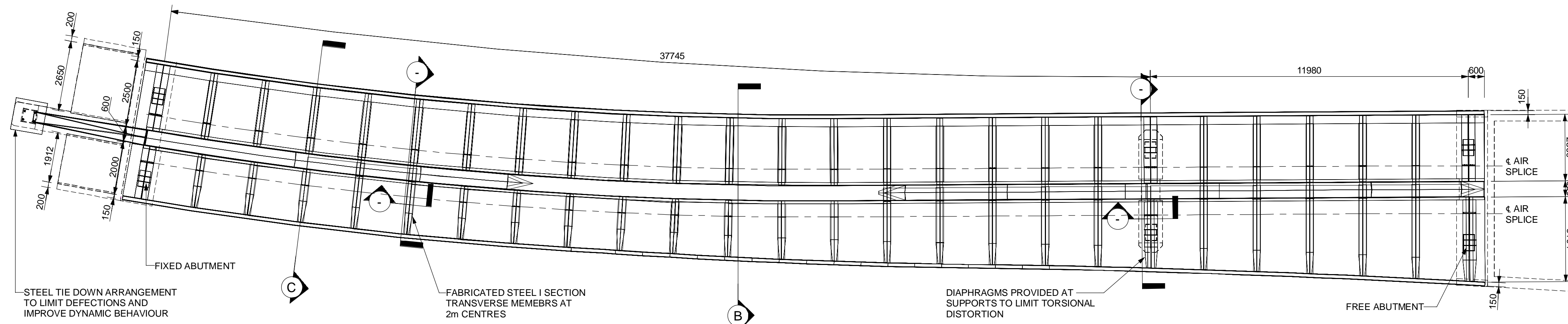
Date: 06/04/2023 | Scale: As indicated @ A1 | Drawn: RG | Checked: JM | Approved: HO

Project Code: BCIDB | Originator Code: JAC | GMS Code:

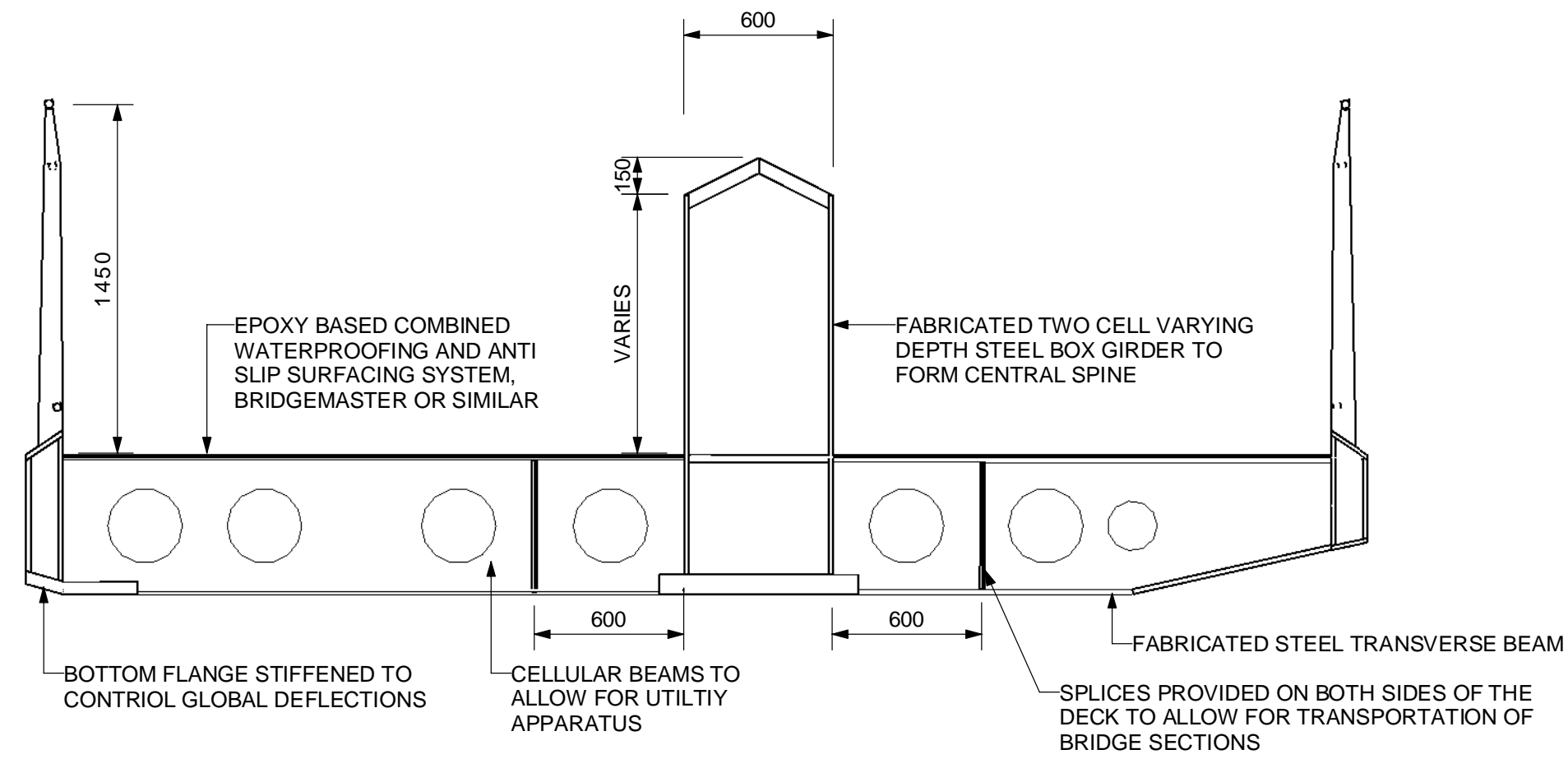
Programme Title: BUSCONNECTS DUBLIN CORE BUS CORRIDORS INFRASTRUCTURE WORKS			
Drawing title: SWORDS TO CITY CENTRE SCHEME FRANK FLOOD BRIDGE GENERAL ARRANGEMENT SHEET 1 OF 3			
Drawing File Name: BCIDB-JAC-STR_GA-0002_BR_00-DR-CB- 0101	Sheet Number: 1 of 3	Status: A	Rev: M01

DO NOT SCALE USE FIGURED DIMENSIONS ONLY

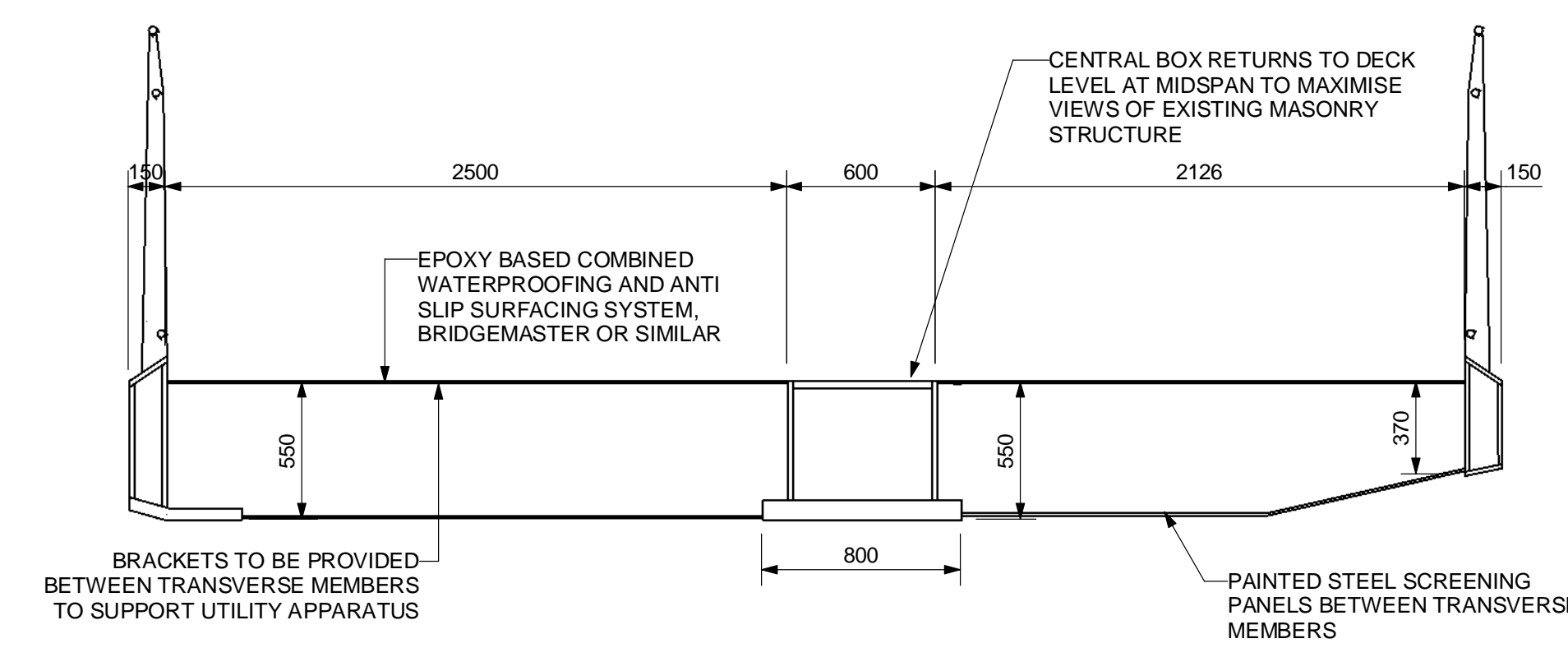
- NOTES:**
- All dimensions are in millimetres unless noted otherwise.
 - All levels and chainages are in metres unless noted otherwise.
 - All details shown on this drawing are indicative only and subject to development.



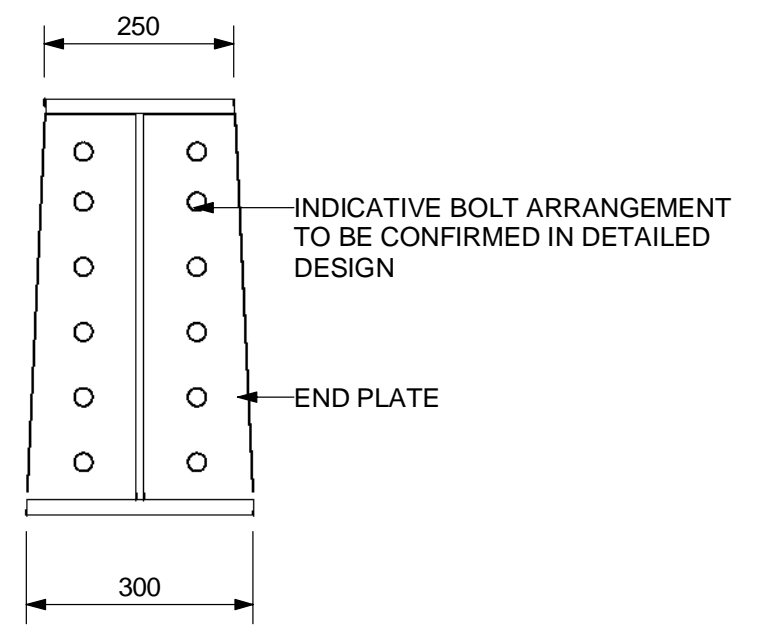
STRUCTURAL PLAN
(Scale 1 : 100)



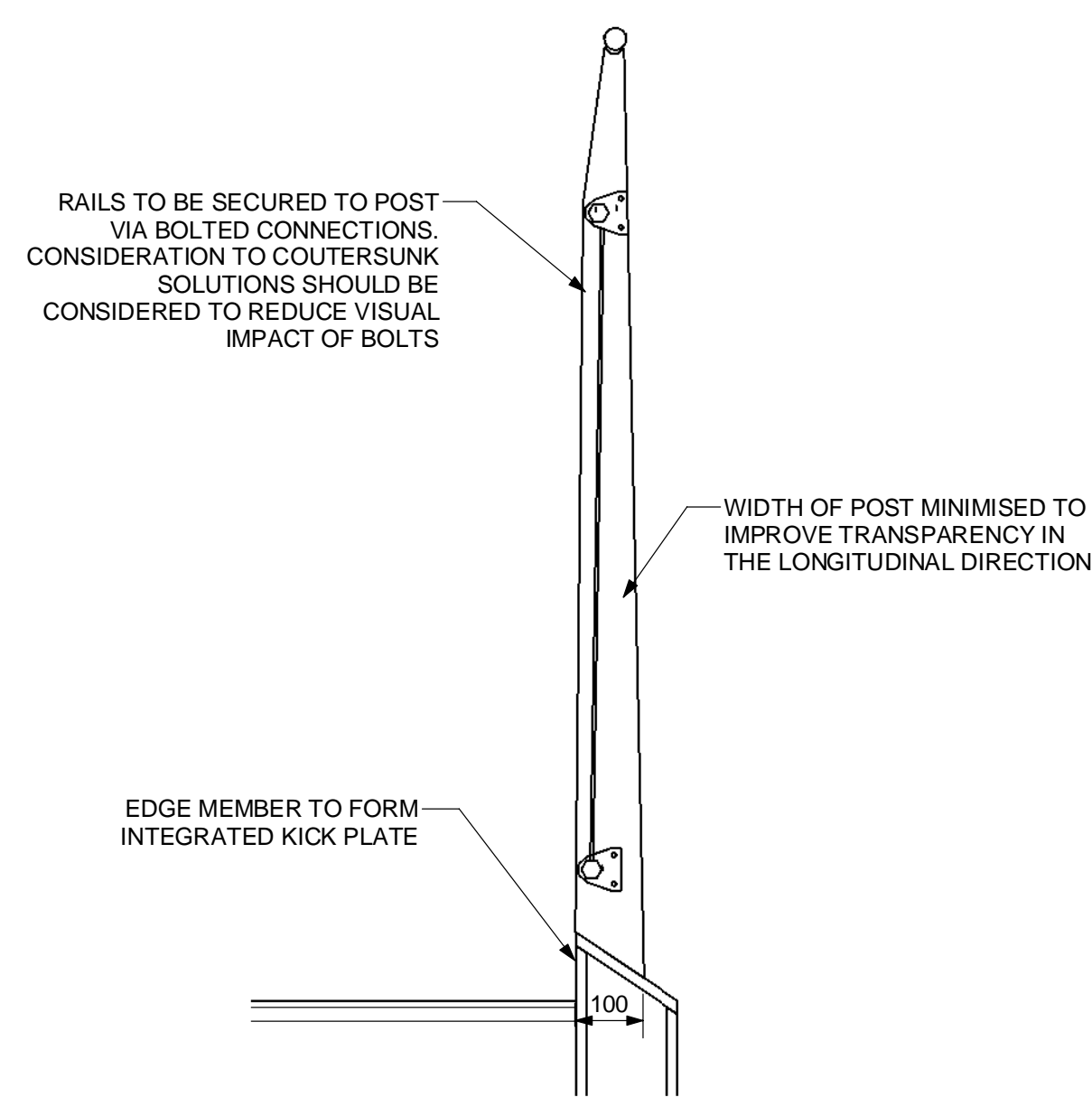
SECTION C
(Scale 1 : 25)



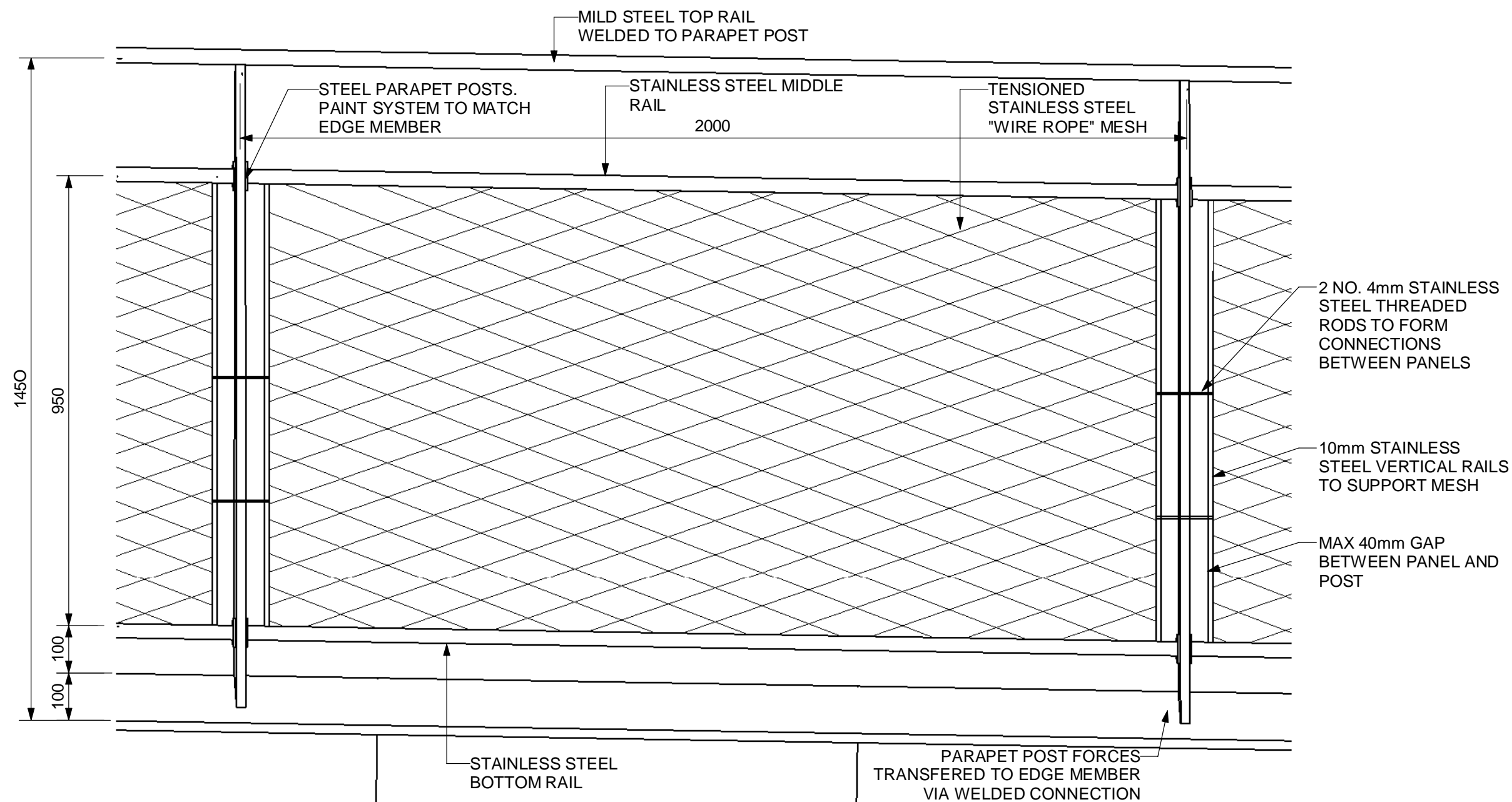
SECTION B
(Scale 1 : 25)



TYPICAL TRANSVERSE MEMBER SPLICE DETAIL
(Scale 1 : 10)



TYPICAL PARAPET POST
(Scale 1 : 10)



PARAPET DETAIL
(Scale 1 : 10)

Disclaimer

a. © National Transport Authority (NTA) 2022. This drawing is confidential and the copyright in it is owned by NTA. This drawing must not be either loaned, copied or otherwise reproduced in whole or in part or used for any purpose without the prior permission of NTA.

b. This drawing is to be used for the design element identified in the titlebox. Other information shown is to be considered indicative only. The drawing is to be read in conjunction with all other relevant design drawings.

c. O.S. data used for plans are printed under © Ordnance Survey Ireland Government of Ireland. All rights reserved. Licence Number 2022/OSI_NMA_180 National Transport Authority. All elevations are not used for any purpose without the prior permission of NTA. Transverse Mercator Grid (ITM) as defined by OSI active local GPS station.

d. Information concerning the position of apparatus shown on this drawing is based on drawings supplied by the utility owners and/or the utility works contractor, whilst every care has been taken in the preparation of this drawing, positions should be taken as approximate and are intended for general guidance only and no representation is made by the NTA as to the accuracy, completeness, sufficiency or otherwise of this drawing and the position of the apparatus. The information contained herein does not purport to be comprehensive or final as the apparatus is subject to being altered and/or superseded. Recipients should not rely on this information. Any liabilities are hereby expressly disclaimed.

e. The information contained herein has been provided by the NTA but does not purport to be comprehensive or final. Recipients should not rely on the information. Neither the NTA nor any of its directors, officers, employees, agents, stakeholders or advisers make any representation or warranty as to, or accept any liability or responsibility in relation to, the adequacy, accuracy, reasonableness or completeness of the information provided as part of this document or any matter on which the information is based (including but not limited to loss or damage arising as a result of reliance by recipients on the information or any part of it). Any liabilities are hereby expressly disclaimed.



Rev	Date	Dm	Chkd	App'd	Description
M01	06/04/2023	RG	JM	HO	ISSUE FOR PHASE 4 PLANNING

Client: **NTA**
Údarás Náisiúnta Iompair
National Transport Authority

Engineering Designer: **Jacobs**

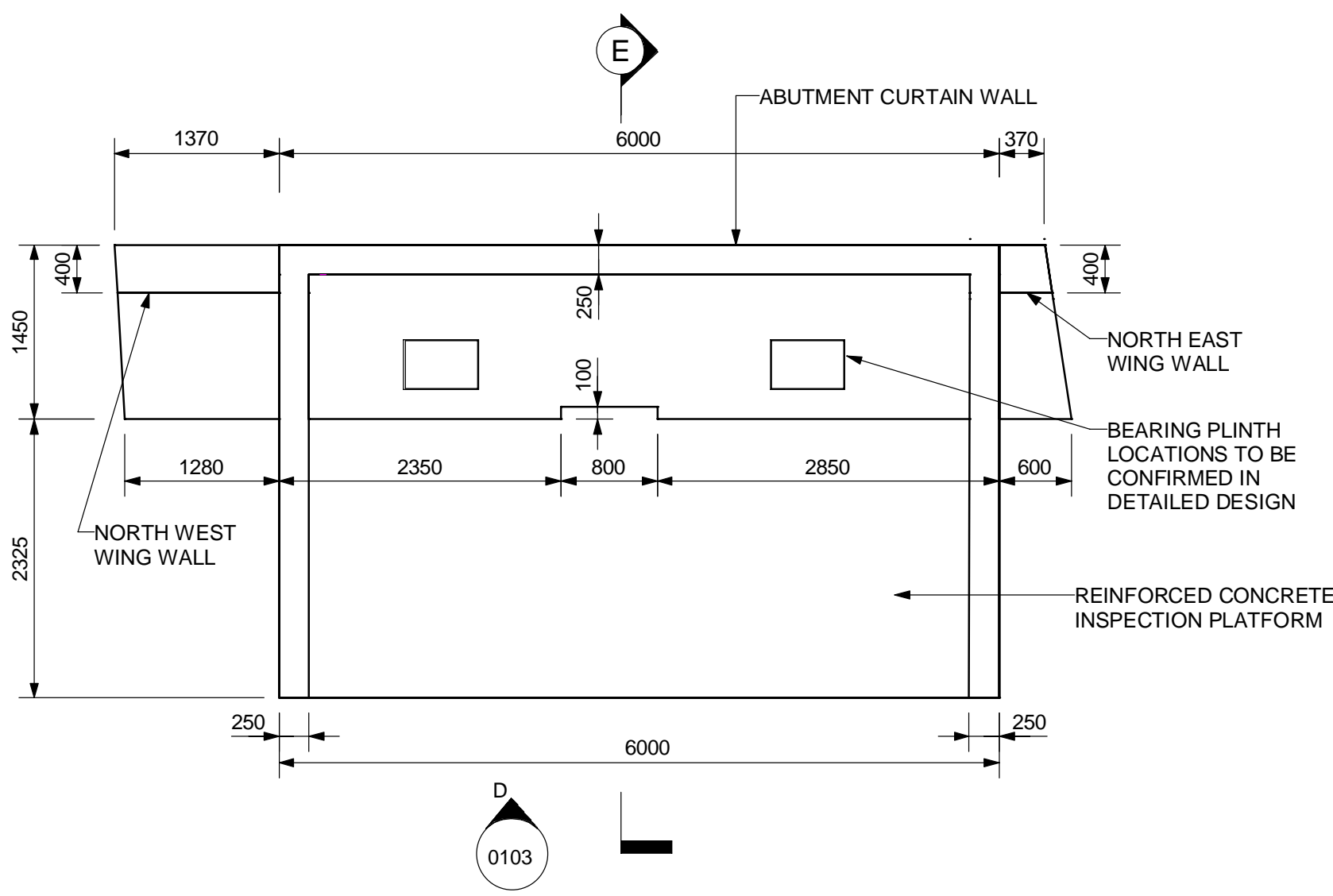
Date: 06/04/2023
Scale: As indicated @ A1
Project Code: BCIDB
Originator Code: JAC

Drawn: RG
Checked: JM
Approved: HO

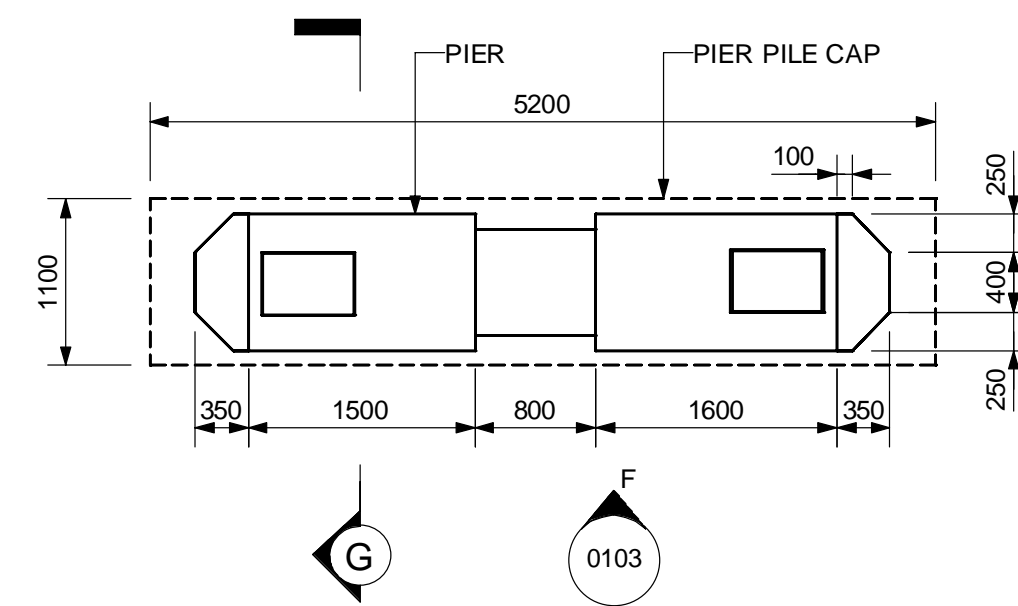
Programme Title: BUSCONNECTS DUBLIN CORE BUS CORRIDORS INFRASTRUCTURE WORKS			
Drawing title: SWORDS TO CITY CENTRE SCHEME FRANK FLOOD BRIDGE GENERAL ARRANGEMENT SHEET 2 OF 3			
Drawing File Name: BCIDB-JAC-STR_GA-0002_BR_00-DR-CB- 0102	Sheet Number: 2 of 3	Status: A	Rev: M01

DO NOT SCALE USE FIGURED DIMENSIONS ONLY

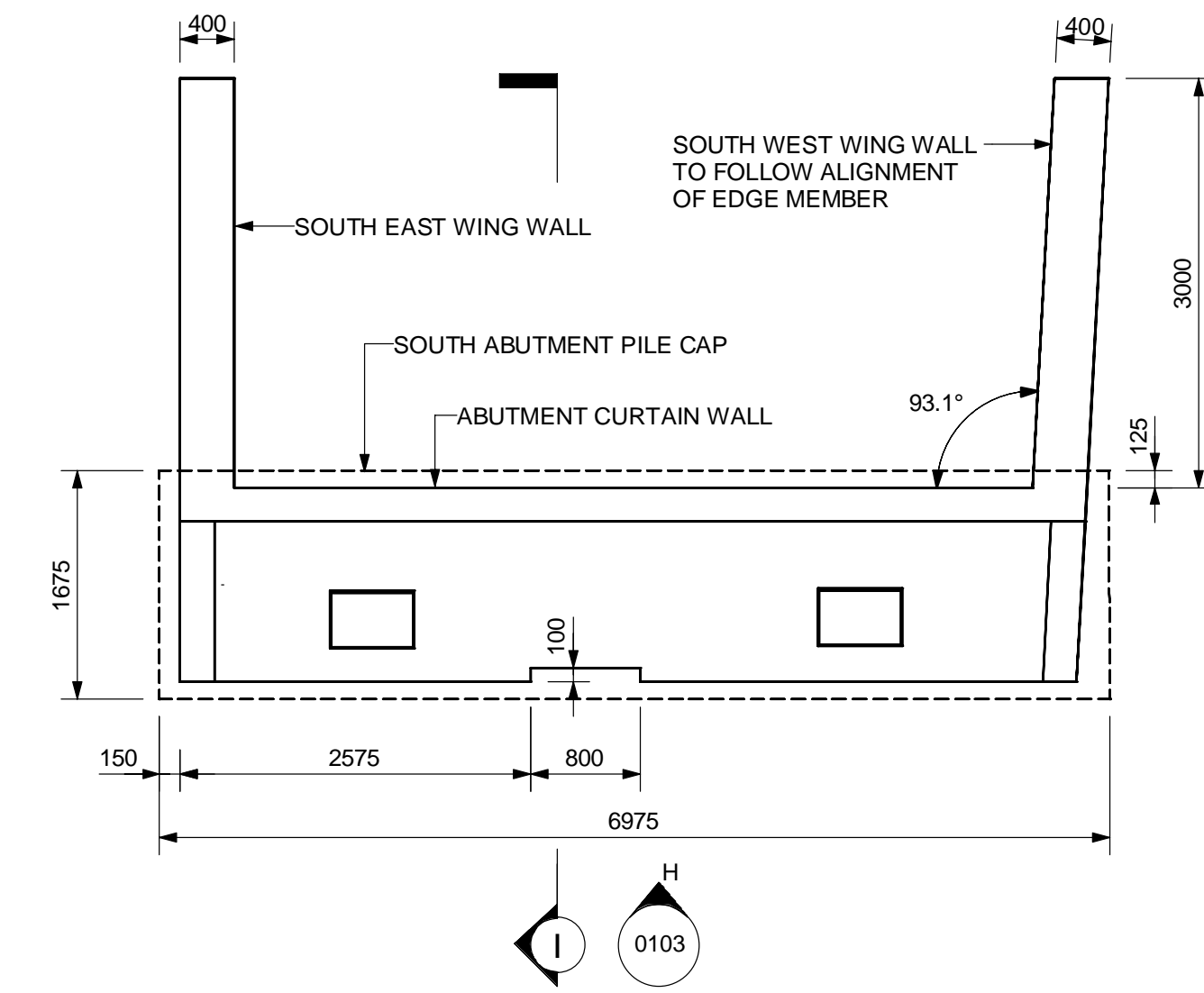
c:\work\proj\0205_uk_highways_354\plan\00146088\BCIDB-JAC-STR_GA-0002_BR_00-DR-CB-0005.rvt



NORTH ABUTMENT PLAN
(Scale 1 : 50)

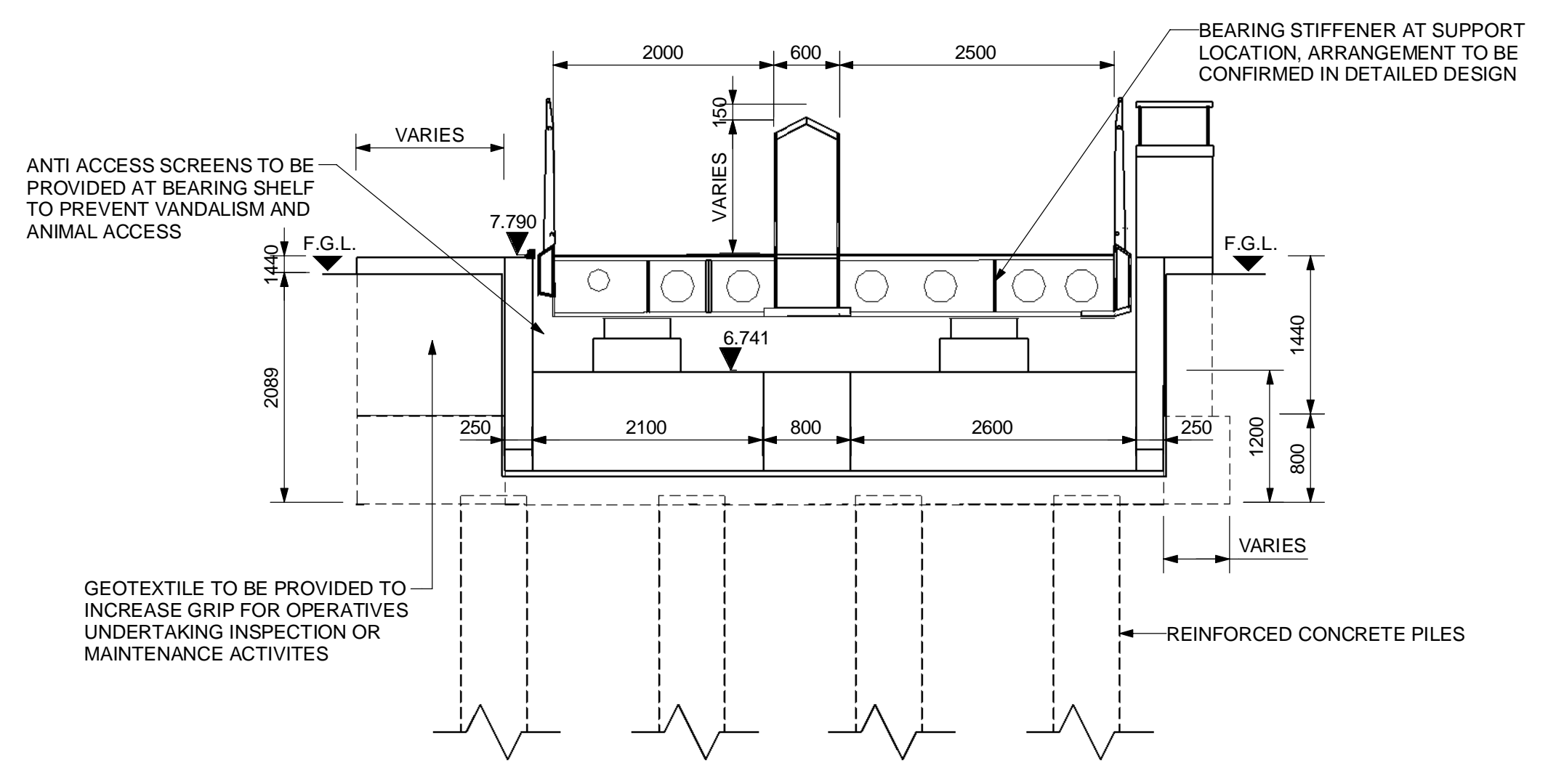


PIER PLAN
(Scale 1 : 50)

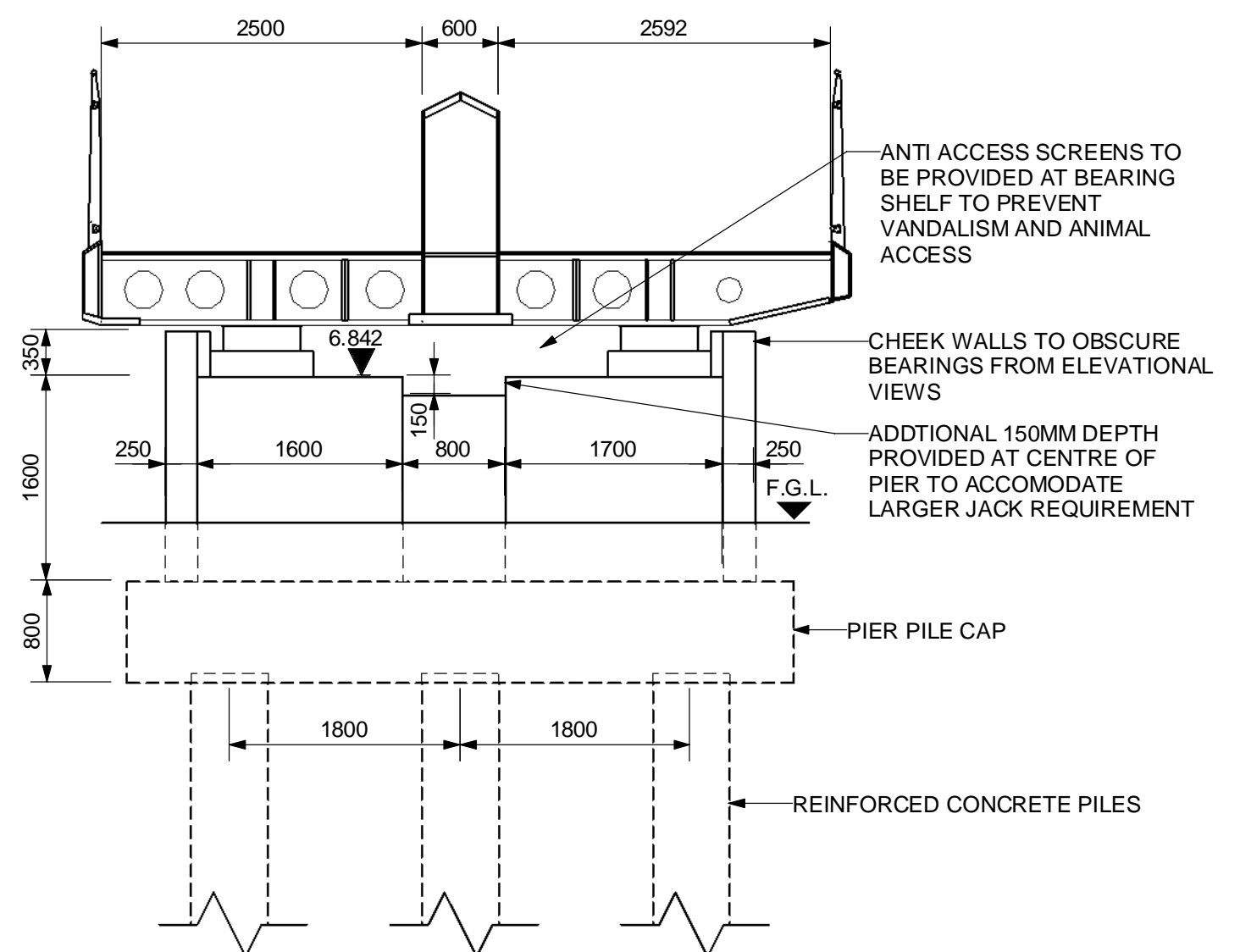


SOUTH ABUTMENT PLAN
(Scale 1 : 50)

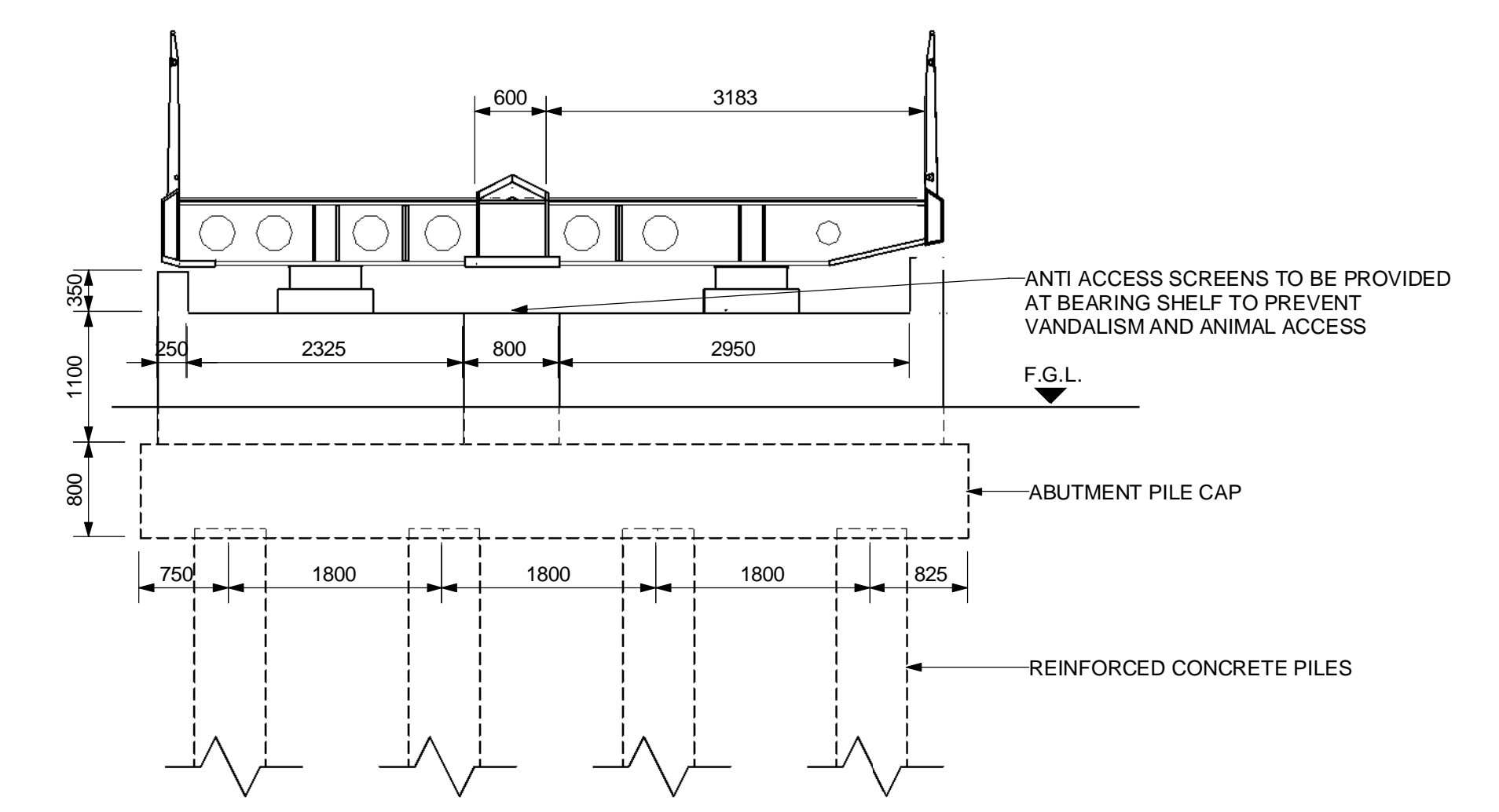
- NOTES:**
1. All dimensions are in millimetres unless noted otherwise.
 2. All levels and chainages are in metres unless noted otherwise.
 3. All details shown on this drawing are indicative only and subject to development.



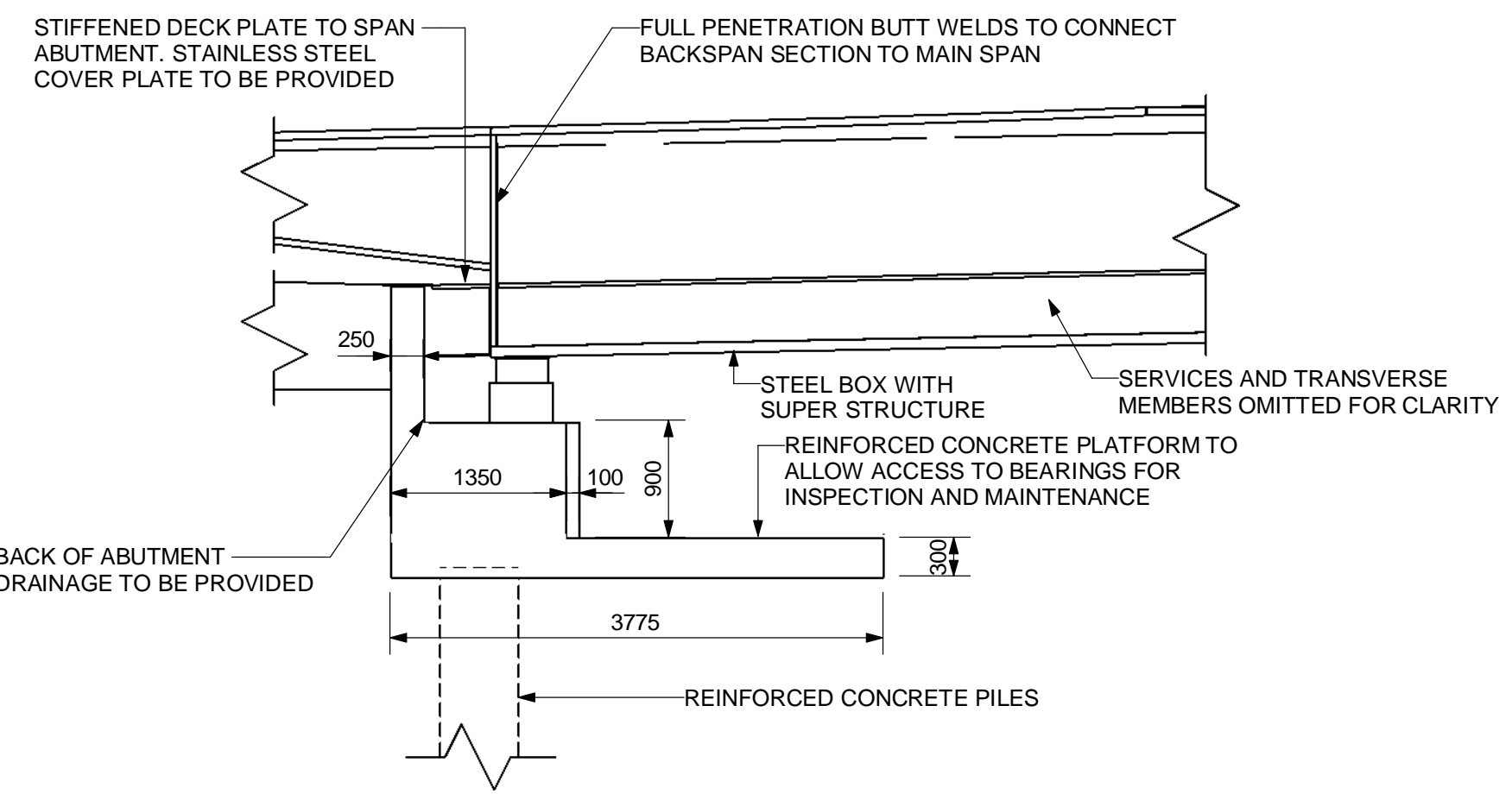
ELEVATION D
(Scale 1 : 50)



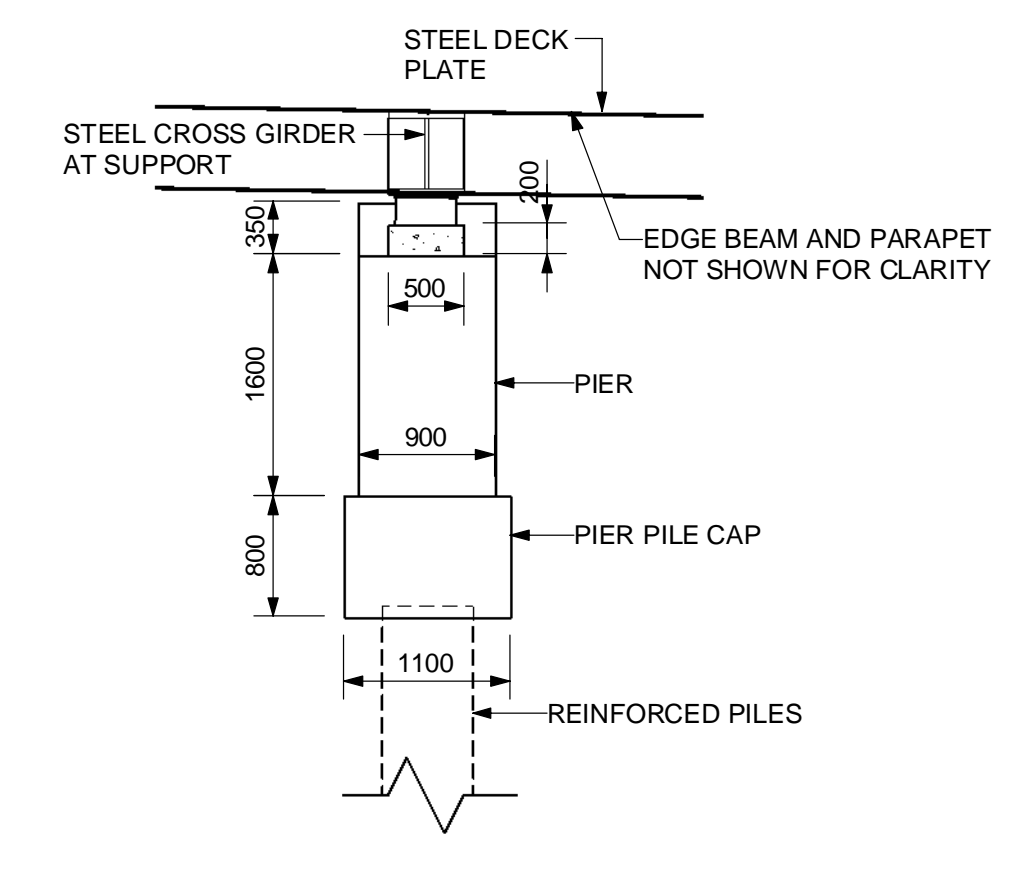
ELEVATION F
(Scale 1 : 50)



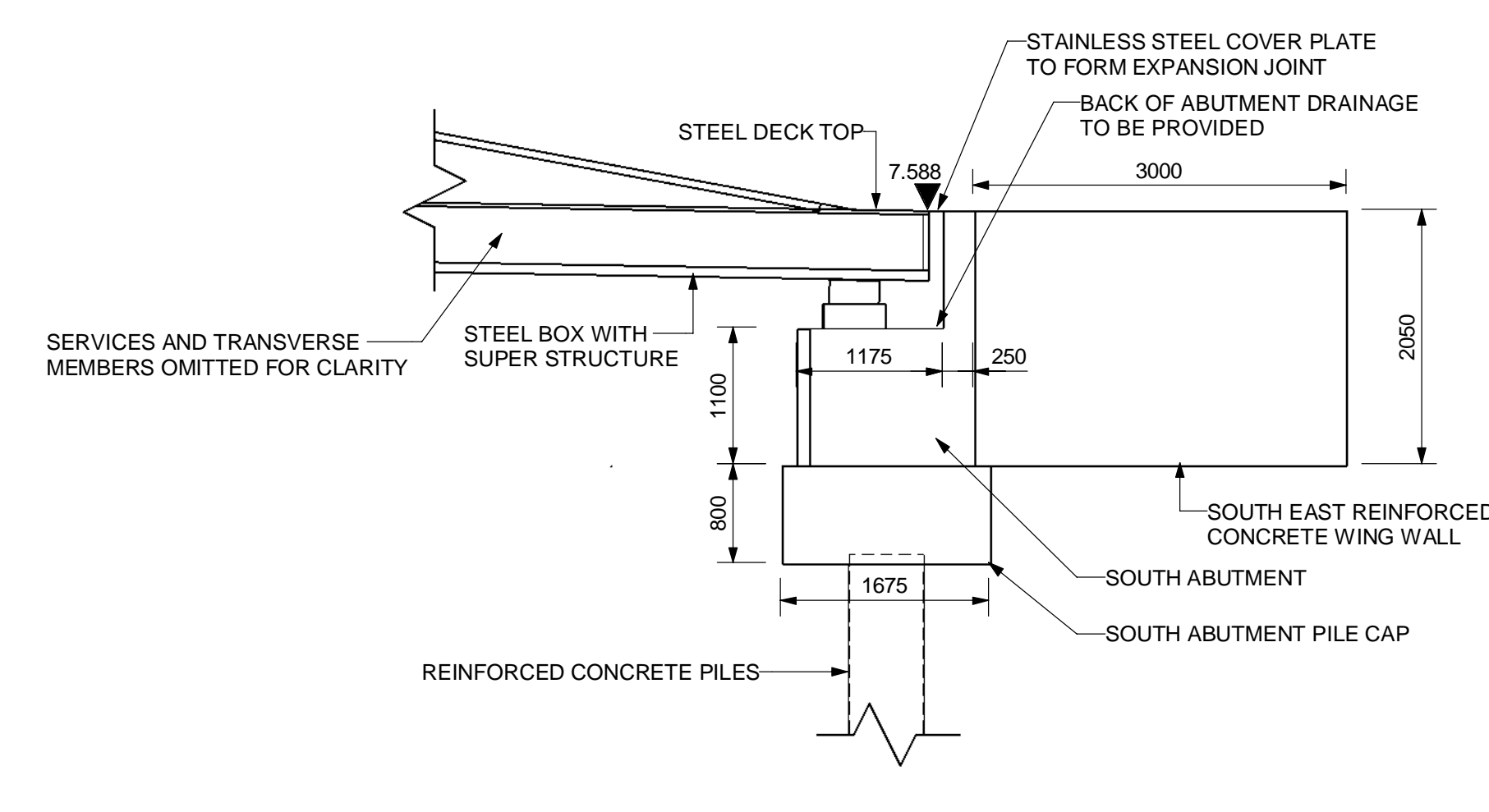
ELEVATION H
(Scale 1 : 50)



SECTION E
(Scale 1 : 50)



SECTION G
(Scale 1 : 50)



SECTION I
(Scale 1 : 50)

Disclaimer

a. © National Transport Authority (NTA) 2022. This drawing is confidential and the copyright in it is owned by NTA. This drawing must not be either loaned, copied or otherwise reproduced in whole or in part or used for any purpose without the prior permission of NTA.

b. This drawing is to be used for the design element identified in the titlebox. Other information shown is to be considered indicative only. The drawing is to be read in conjunction with all other relevant design drawings.

c. O.S. data used for plans are printed under © Ordnance Survey Ireland Government of Ireland. All rights reserved. Licence Number 2022/OSI_NMA_180 National Transport Authority. All elevations are not used for any purpose without the prior permission of NTA. Transverse Mercator Grid (ITM) as defined by OSI active local GPS station.

d. Information concerning the position of apparatus shown on this drawing is based on drawings supplied by the utility owners and/or the utility works contractor, whilst every care has been taken in the preparation of this drawing, positions should be taken as approximate and are intended for general guidance only and no representation is made by the NTA as to the accuracy, completeness, sufficiency or otherwise of this drawing and the position of the apparatus. The information contained herein does not purport to be comprehensive or final as the apparatus is subject to being altered and/or superseded. Recipients should not rely on this information. Any liabilities are hereby expressly disclaimed.

e. The information contained herein has been provided by the NTA but does not purport to be comprehensive or final. Recipients should not rely on the information. Neither the NTA nor any of its directors, officers, employees, agents, stakeholders or advisers make any representation or warranty as to, or accept any liability or responsibility in relation to, the adequacy, accuracy, reasonableness or completeness of the information provided as part of this document or any matter on which the information is based (including but not limited to loss or damage arising as a result of reliance by recipients on the information or any part of it). Any liabilities are hereby expressly disclaimed.



Rev	Date	Dm	Chkd	App'd	Description
M01	06/04/2021	RG	JM	HO	ISSUE FOR PHASE 4 PLANNING

Client: **NTA**
Údarás Náisiúnta Iompair
National Transport Authority

Engineering Designer: **Jacobs**

Date: 06/04/2023
Scale: 1:50 @ A1
Project Code: BCIDB
Originator Code: JAC

Drawn: RG
Checked: JM
Approved: HO

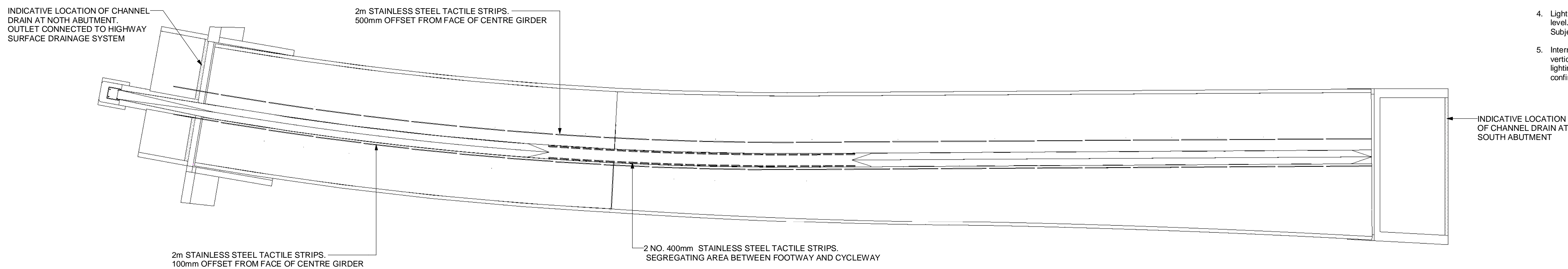
BUSCONNECTS DUBLIN CORE BUS CORRIDORS INFRASTRUCTURE WORKS			
Drawing title: SWORDS TO CITY CENTRE SCHEME FRANK FLOOD BRIDGE GENERAL ARRANGEMENT SHEET 3 OF 3			
Drawing File Name: BCIDB-JAC-STR_GA-0002_BR_00-DR-CB- 0103	Sheet Number: 3 of 3	Status: A	Rev: M01

DO NOT SCALE USE FIGURED DIMENSIONS ONLY

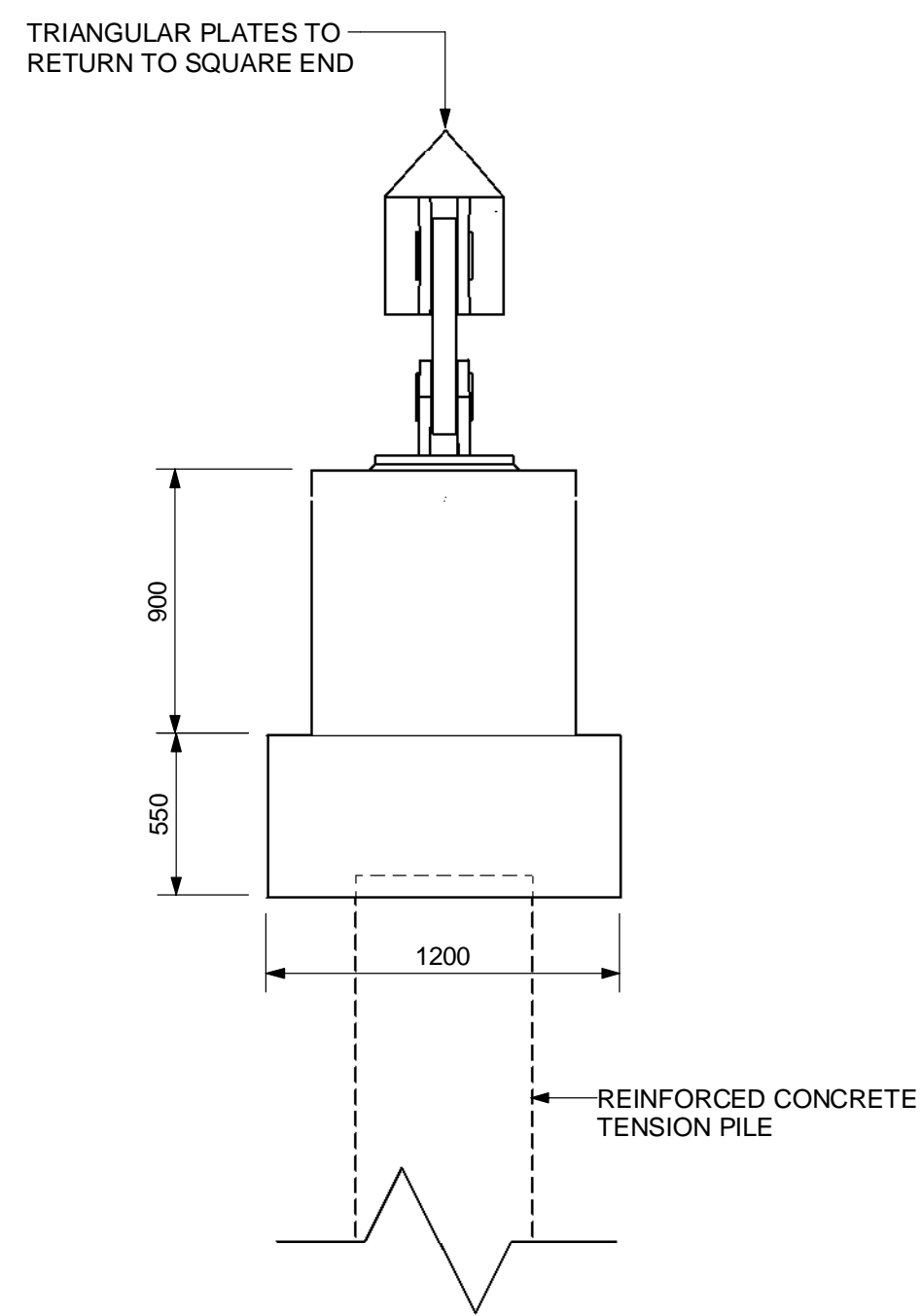
c:\work\proj\bcidb_uk_highways_354\plan\01-14088\BCIDB-JAC-STR_GA-0002_BR_00-DR-CB-0005.rvt

NOTES:

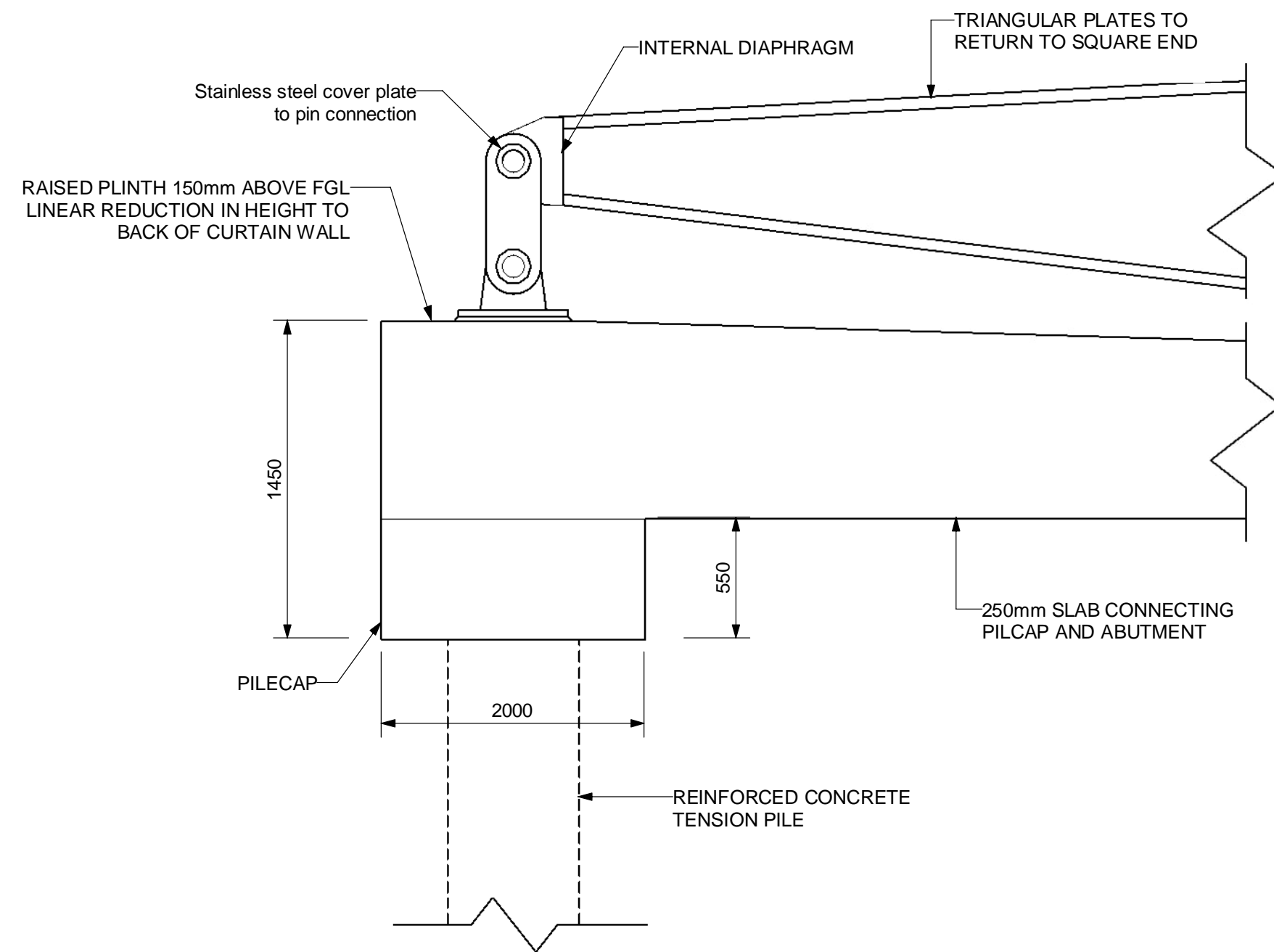
1. All dimensions are in millimetres unless noted otherwise.
2. All levels and chainages are in metres unless noted otherwise.
3. All details shown on this drawing are indicative only and subject to development.
4. Lighting anticipated to be provided by spotlights placed at deck level. Locations to be coordinated with the parapet post set out. Subject to review and confirmation in detailed design.
5. Intermediate drainage to be provided by penetrations in deck with vertical pipes to soffit outlets. Locations to be coordinated with the lighting and parapet post set out. Subject to review and confirmation in detailed design.



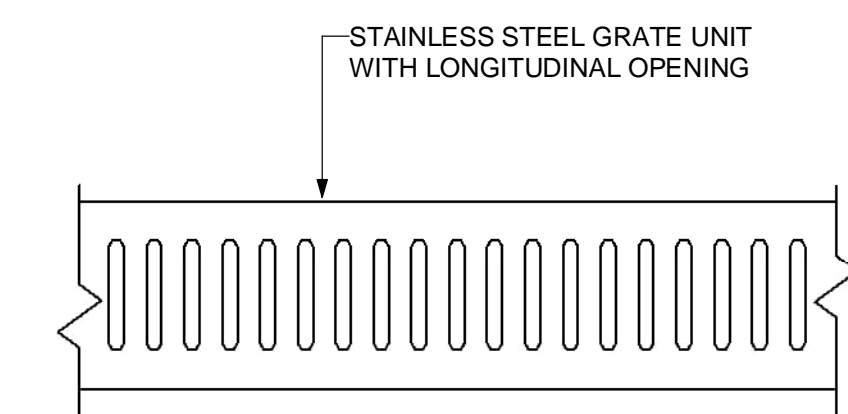
DECK PLAN
(Scale 1 : 100)



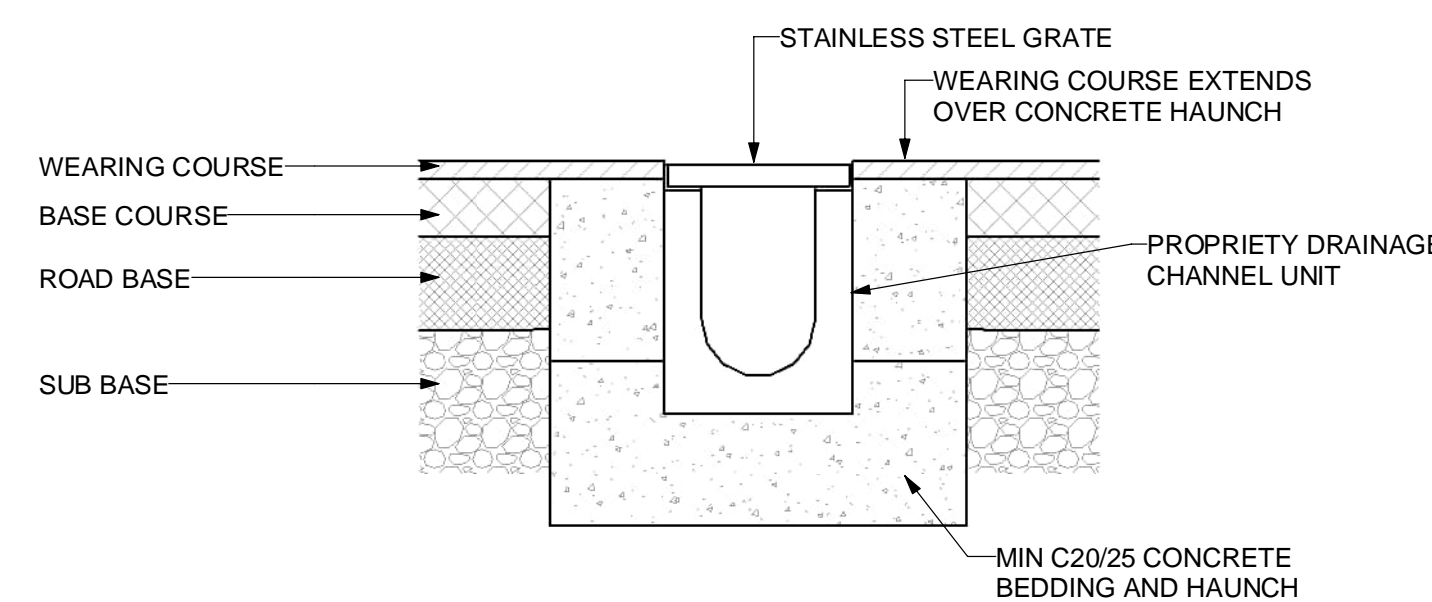
PIN DETAIL
(Scale 1 : 25)



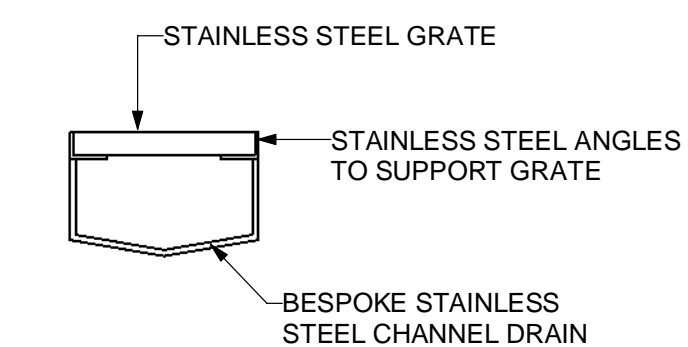
PIN CONNECTION DETAILS
(Scale 1 : 25)



STAINLESS STEEL GRATE UNIT
(Scale 1 : 10)



SOUTH ABUTMENT CHANNEL DRAIN DETAIL
(Scale 1 : 10)



NORTH ABUTMENT CHANNEL DRAIN DETAIL
(Scale 1 : 10)

Disclaimer

a. © National Transport Authority (NTA) 2022. This drawing is confidential and the copyright in it is owned by NTA. This drawing must not be either loaned, copied or otherwise reproduced in whole or in part or used for any purpose without the prior permission of NTA.

b. This drawing is to be used for the design element identified in the titlebox. Other information shown is to be considered indicative only. The drawing is to be read in conjunction with all other relevant design drawings.

c. O.S. data used for plans are printed under © Ordnance Survey Ireland Government of Ireland. All rights reserved. Licence Number 2022/OSI_NMA_180 National Transport Authority. All elevations are not used for any purpose without the prior permission of NTA. Transverse Mercator Grid (ITM) as defined by OSI active local GPS station.

d. Information concerning the position of apparatus shown on this drawing is based on drawings supplied by the utility owners and/or the utility works contractor, whilst every care has been taken in the preparation of this drawing, positions should be taken as approximate and are intended for general guidance only and no representation is made by the NTA as to the accuracy, completeness, sufficiency or otherwise of this drawing and the position of the apparatus. The information contained herein does not purport to be comprehensive or final as the apparatus is subject to being altered and/or superseded. Recipients should not rely on this information. Any liabilities are hereby expressly disclaimed.

e. The information contained herein has been provided by the NTA but does not purport to be comprehensive or final. Recipients should not rely on the information. Neither the NTA nor any of its directors, officers, employees, agents, stakeholders or advisers make any representation or warranty as to, or accept any liability or responsibility in relation to, the adequacy, accuracy, reasonableness or completeness of the information provided as part of this document or any matter on which the information is based (including but not limited to loss or damage arising as a result of reliance by recipients on the information or any part of it). Any liabilities are hereby expressly disclaimed.



Rev	Date	Drn	Chkd	App'd	Description
M01	06/04/2023	RG	JM	HO	ISSUE FOR PHASE 4 PLANNING

Client

Údarás Náisiúnta Iompair
National Transport Authority

Date: 06/04/2023
Scale: As indicated @ A1

Project Code: BCIDB
Originator Code: JAC

Engineering Designer

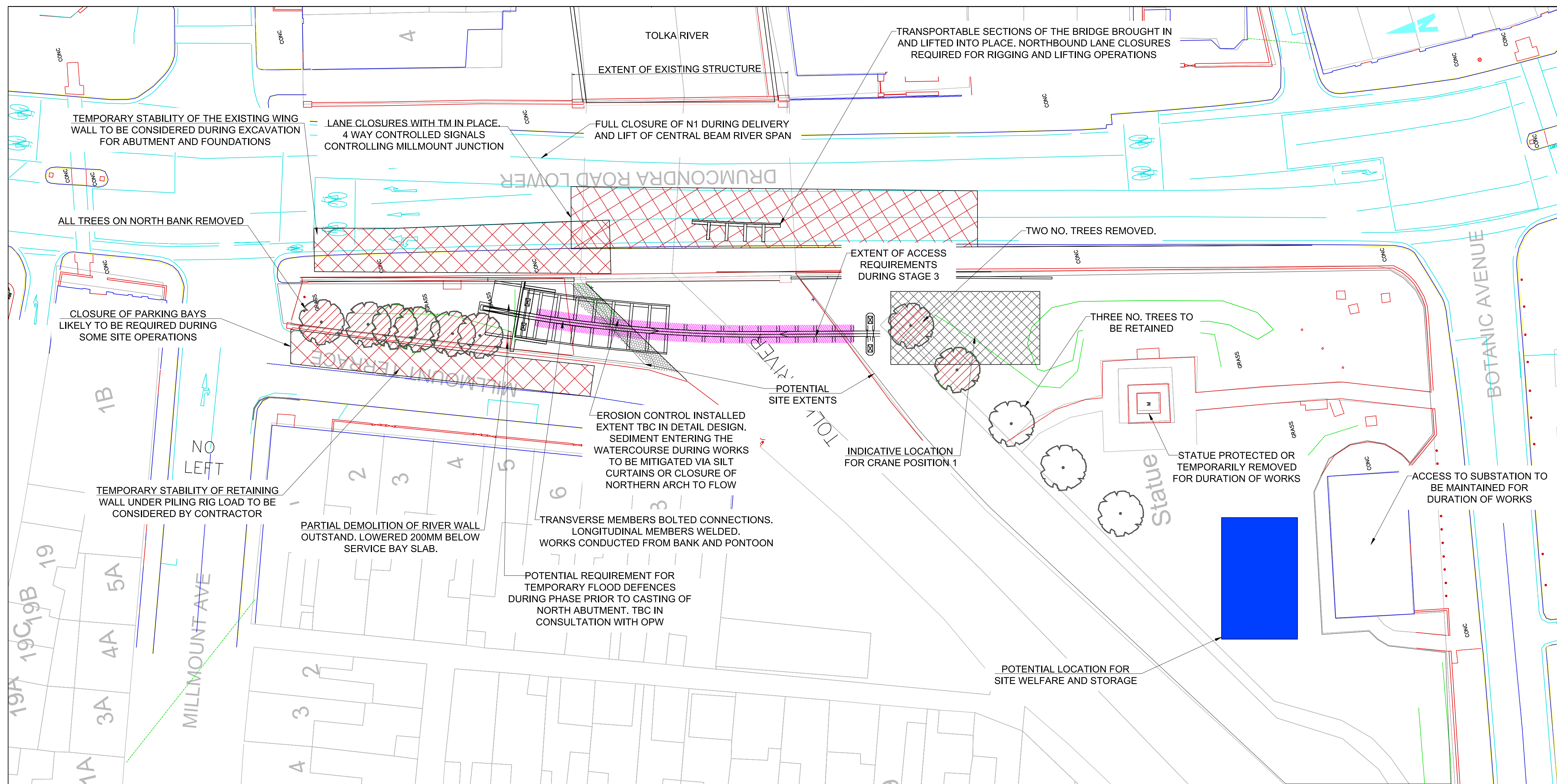
Drawn: RG
Checked: JM
Approved: HO

GMS Code

Programme Title BUSCONNECTS DUBLIN CORE BUS CORRIDORS INFRASTRUCTURE WORKS			
Drawing title SWORDS TO CITY CENTRE SCHEME FRANK FLOOD BRIDGE MISCELLANEOUS DETAIL			
Drawing File Name BCIDB-JAC-STR_GA-0002_BR_00-DR-CB- 0104	Sheet Number 1 of 1	Status A	Rev M01

DO NOT SCALE USE FIGURED DIMENSIONS ONLY

c:\work\proj\0205_uk_highways_saf\planning\01-14088\BCIDB-JAC-STR_GA-0002_BR_00-DR-CB-0005.rvt



ANTICIPATED CONSTRUCTION STAGES 1-3

SCALE 1:250 @ A1

- NOTES :
1. THE FOLLOWING PROCEDURE IS AN INDICATIVE SEQUENCE FOR THE CONSTRUCTION OF FRANK FLOOD BRIDGE. DETAILS TO BE CONFIRMED IN DETAILED DESIGN.
 2. ALL DIMENSIONS ARE SHOWN IN MILLIMETRES UNLESS NOTED OTHERWISE.
 3. ALL LEVELS ARE REFERRED TO ORDNANCE SURVEY DATUM, MALIN HEAD.
 4. THIS DRAWING IS ONLY TO BE USED FOR THE DESIGN ELEMENT IDENTIFIED IN THE TITLE BOX. ALL OTHER INFORMATION SHOWN ON THE DRAWING IS TO BE CONSIDERED INDICATIVE ONLY.
 5. THESE DRAWINGS ARE TO BE READ IN CONJUNCTION WITH ALL OTHER RELEVANT DESIGN DRAWINGS

ANTICIPATED SEQUENCE OF WORKS

STAGE 1 -
DEMOLITION OF EXISTING WALL AT SOUTH END OF OUR LADY'S PARK. SOUTH BANK AND NORTH BANK REGRADED TO FGL TO ALLOW FOR PILING RIG ACCESS AND INSTALLATION OF ROCK ARMOUR. NORTH ABUTMENT AND PIER PILES INSTALLED. NORTH ABUTMENT AND PIER CONSTRUCTED, AND NORTH ABUTMENT BACKFILLED. CRANE MAT PREPARED SOUTH OF PIER LOCATION.

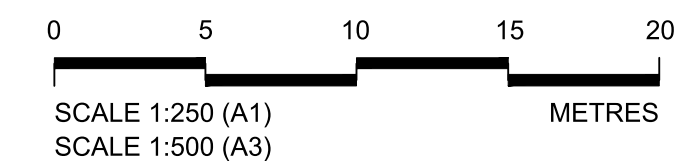
STAGE 2 -
ESTABLISH CRANE AT POSITION 1 SOUTH OF PIER. DELIVER CENTRAL BEAM RIVER SPAN TO EXISTING BRIDGE UNDER FULL CLOSURE. SITE WELDED CONNECTIONS OF PREFABRICATED BEAM LENGTHS MAY BE REQUIRED. LIFT CENTRAL BEAM INTO POSITION AND SECURE WITH TEMPORARY SUPPORTS.

STAGE 3 -
IMPLEMENT ACCESS SOLUTION BELOW RIVER SPAN (DETAILS OF FINAL ARRANGEMENT TO BE CONFIRMED BY THE CONTRACTOR) TRANSPORTABLE SECTIONS OF RIVER SPAN DELIVERED TO EXISTING BRIDGE UNDER NORTHBOUND LANE CLOSURES. SECTIONS LIFTED INTO PLACE WORKING NORTH TO SOUTH. BOLTED SPLICE CONNECTIONS COMPLETED ON TRANSVERSE MEMBERS AND WELDED CONNECTIONS COMPLETE ON LONGITUDINAL MEMBERS. IN-STREAM WORKS PERMITTED FOR THE MONTHS OF JULY TO SEPTEMBER.

STAGE 4 -
RIVER SPAN INSTALLED. CRANE DEMOBILISED AND RIVER ACCESS REMOVED. SOUTH ABUTMENT PILES INSTALLED AND SOUTH ABUTMENT CONSTRUCTED. CRANE ESTABLISHED AT POSITION 2 SOUTH OF SOUTH ABUTMENT. CENTRAL BEAM BACKSPAN LIFTED INTO PLACE AND TEMPORARILY SUPPORTED. TRANSPORTABLE SECTIONS OF BACK SPAN DELIVERED TO EXISTING BRIDGE UNDER NORTHBOUND LANE CLOSURES. SECTIONS LIFTED INTO POSITION AND SPLICED AS PER STAGE 3 FROM THE SOUTH BANK.

STAGE 5 -
CRANE DEMOBILISED AND LANDSCAPE ACTIVITIES COMMENCING IN OUR LADY'S PARK. WEST FOOTWAY AND SINGLE NORTHBOUND TRAFFIC LANE CLOSED ON EXISTING BRIDGE UTILITIES DIVERTED FROM WESTERN FOOTWAY TO NEW STRUCTURE. FULL ENCAPSULATION OF THE WEST PARAPET WITH SCAFFOLD SUPPORTED BY THE EXISTING BRIDGE, NO IMPACT TO THE BRIDGE ELEVATION. WORKS WITHIN THE RIVER RESTRICTED TO THE MONTHS OF JULY TO SEPTEMBER. WORKS TO WEST PARAPET UNDERTAKEN. SURFACING OF FOOTBRIDGE AND APPROACHES.

STAGE 6 -
REALIGNMENT OF WEST KERBLINE AS PER HIGHWAY DESIGN. PREFERRED STRENGTHENING SOLUTION TO BE UNDERTAKEN WITH SEQUENTIAL LANE CLOSURES ACROSS THE STRUCTURE. WORKS TO WEST OF STRUCTURE TO COINCIDE WITH PARAPET WORKS.



Disclaimer
 a. © National Transport Authority (NTA) 2022. This drawing is confidential and the copyright in it is owned by NTA. This drawing must not be either loaned, copied or otherwise reproduced in whole or in part or used for any purpose without the prior permission of NTA.
 b. This drawing is to be used for the design element identified in the titlebox. Other information shown is to be considered indicative only. The drawing is to be read in conjunction with all other relevant design drawings.
 c. O.S. data used for plans are printed under © Ordnance Survey Ireland Government of Ireland. All rights reserved. Licence Number 2022/OSI_NMA_180 National Transport Authority. All elevations are in metres and relate to OSI Geoid Model (OSGM15) Malin Head. All Co-ordinates are in Irish Transverse Mercator Grid (ITM) as defined by OSI active local GPS station.
 d. Information concerning the position of apparatus shown on this drawing is based on drawings supplied by the utility owners and/or the utility works contractor, whilst every care has been taken in the preparation of this drawing, positions should be taken as approximate and are intended for general guidance only and no representation is made by the NTA as to the accuracy, completeness, sufficiency or otherwise of this drawing and the position of the apparatus. The information contained herein does not purport to be comprehensive or final as the apparatus is subject to being altered and/or superseded. Recipients should not rely on this information. Any liabilities are hereby expressly disclaimed.
 e. The information contained herein has been provided by the NTA but does not purport to be comprehensive or final. Recipients should not rely on the information. Neither the NTA nor any of its directors, officers, employees, agents, stakeholders or advisers make any representation or warranty as to, or accept any liability or responsibility in relation to, the adequacy, accuracy, reasonableness or completeness of the information provided as part of this document or any matter on which the information is based (including but not limited to loss or damage arising as a result of reliance by recipients on the information or any part of it). Any liabilities are hereby expressly disclaimed.



Rev	Date	Drn	Chk'd	App'd	Description
M01	06/04/2023	RG	JM	HO	ISSUE FOR PHASE 4 PLANNING

Client
NTA
 Údarás Náisiúnta Iompair
 National Transport Authority

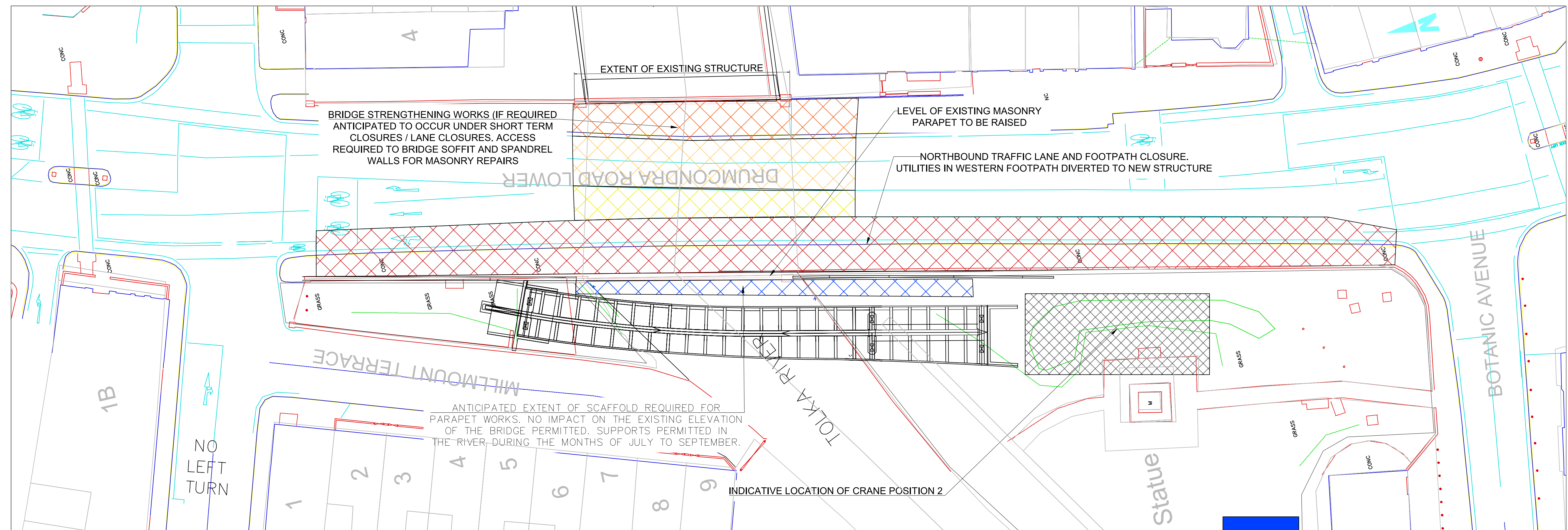
Engineering Designer
Jacobs
 Drawn RG
 Checked JM
 Approved HO

Programme Title
BUSCONNECTS DUBLIN
CORE BUS CORRIDORS INFRASTRUCTURE WORKS

Drawing Title
 SWORDS TO CITY CENTRE SCHEME
 FRANK FLOOD BRIDGE
 ANTICIPATED CONSTRUCTION SEQUENCE AND PHASING

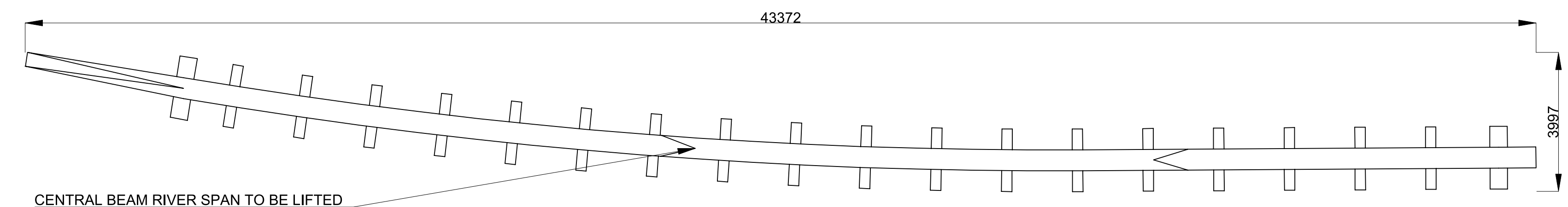
Drawing File Name
 BCIDB-JAC-STR_GA-0002_BR_00-DR-CB-0701

Sheet Number 1 of 2
 Status A
 Rev M01



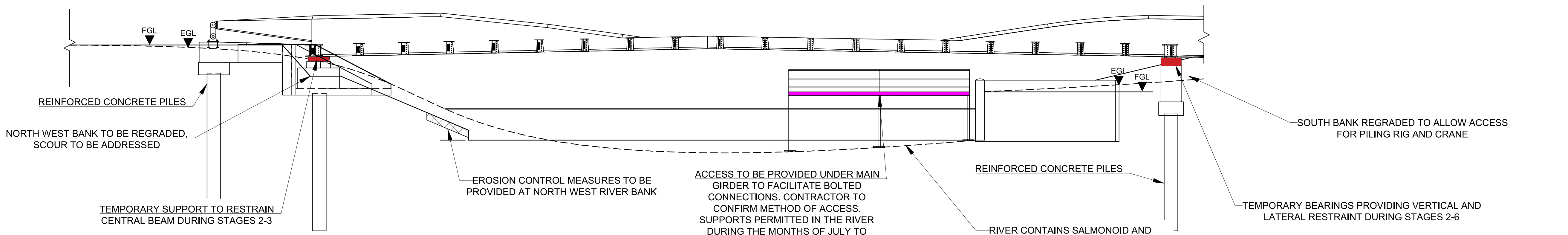
ANTICIPATED CONSTRUCTION STAGES 4-6

SCALE 1:250 @ A1



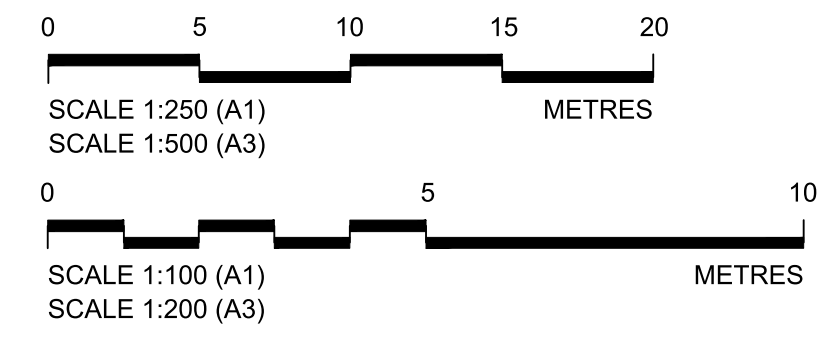
PLAN OF STAGE 2 BRIDGE LIFT

SCALE 1:100 @ A1



ELEVATION OF BRIDGE DURING STAGE 3

SCALE 1:100 @ A1



- NOTES :
1. THE FOLLOWING PROCEDURE IS AN INDICATIVE SEQUENCE FOR THE CONSTRUCTION OF FRANK FLOOD BRIDGE. DETAILS TO BE CONFIRMED IN DETAILED DESIGN.
 2. ALL DIMENSIONS ARE SHOWN IN MILLIMETRES UNLESS NOTED OTHERWISE.
 3. ALL LEVELS ARE REFERRED TO ORDANCE SURVEY DATUM, MALIN HEAD.
 4. THIS DRAWING IS ONLY TO BE USED FOR THE DESIGN ELEMENT IDENTIFIED IN THE TITLE BOX. ALL OTHER INFORMATION SHOWN ON THE DRAWING IS TO BE CONSIDERED INDICATIVE ONLY.
 5. THESE DRAWINGS ARE TO BE READ IN CONJUNCTION WITH ALL OTHER RELEVANT DESIGN DRAWINGS

Disclaimer
 a. © National Transport Authority (NTA) 2022. This drawing is confidential and the copyright in it is owned by NTA. This drawing must not be either loaned, copied or otherwise reproduced in whole or in part or used for any purpose without the prior permission of NTA.
 b. This drawing is to be used for the design element identified in the titlebox. Other information shown is to be considered indicative only. The drawing is to be read in conjunction with all other relevant design drawings.
 c. O.S. data used for plans are printed under © Ordnance Survey Ireland Government of Ireland. All rights reserved. Licence Number 2022/OSI_NMA_180 National Transport Authority. All elevations are in metres and relate to OSI Geoid Model (OSGM15) Malin Head. All Co-ordinates are in Irish

Transverse Mercator Grid (ITM) as defined by OSI active local GPS station.
 d. Information concerning the position of apparatus shown on this drawing is based on drawings supplied by the utility owners and/or the utility works contractor, whilst every care has been taken in the preparation of this drawing, positions should be taken as approximate and are intended for general guidance only and no representation is made by the NTA as to the accuracy, completeness, sufficiency or otherwise of this drawing and the position of the apparatus. The information contained herein does not purport to be comprehensive or final as the apparatus is subject to being altered and/or superseded. Recipients should not rely on this information. Any liabilities are hereby expressly disclaimed.

e. The information contained herein has been provided by the NTA but does not purport to be comprehensive or final. Recipients should not rely on the information. Neither the NTA nor any of its directors, officers, employees, agents, stakeholders or advisers make any representation or warranty as to, or accept any liability or responsibility in relation to, the adequacy, accuracy, reasonableness or completeness of the information provided as part of this document or any matter on which the information is based (including but not limited to loss or damage arising as a result of reliance by recipients on the information or any part of it). Any liabilities are hereby expressly disclaimed.



Rev	Date	Drn	Chk'd	App'd	Description
M01	06/04/2023	RG	JM	HO	ISSUE FOR PHASE 4 PLANNING

Client
NTA
 Údarás Náisiúnta Iompair
 National Transport Authority

Engineering Designer
Jacobs

Programme Title BUSCONNECTS DUBLIN CORE BUS CORRIDORS INFRASTRUCTURE WORKS	
Drawing Title SWORDS TO CITY CENTRE SCHEME FRANK FLOOD BRIDGE ANTICIPATED CONSTRUCTION SEQUENCE AND PHASING	
Drawing File Name BCIDB-JAC-STR_GA-0002_BR_00-DR-CB-0702	Sheet Number 2 of 2
Status A	Rev M01

DO NOT SCALE USE FIGURED DIMENSIONS ONLY